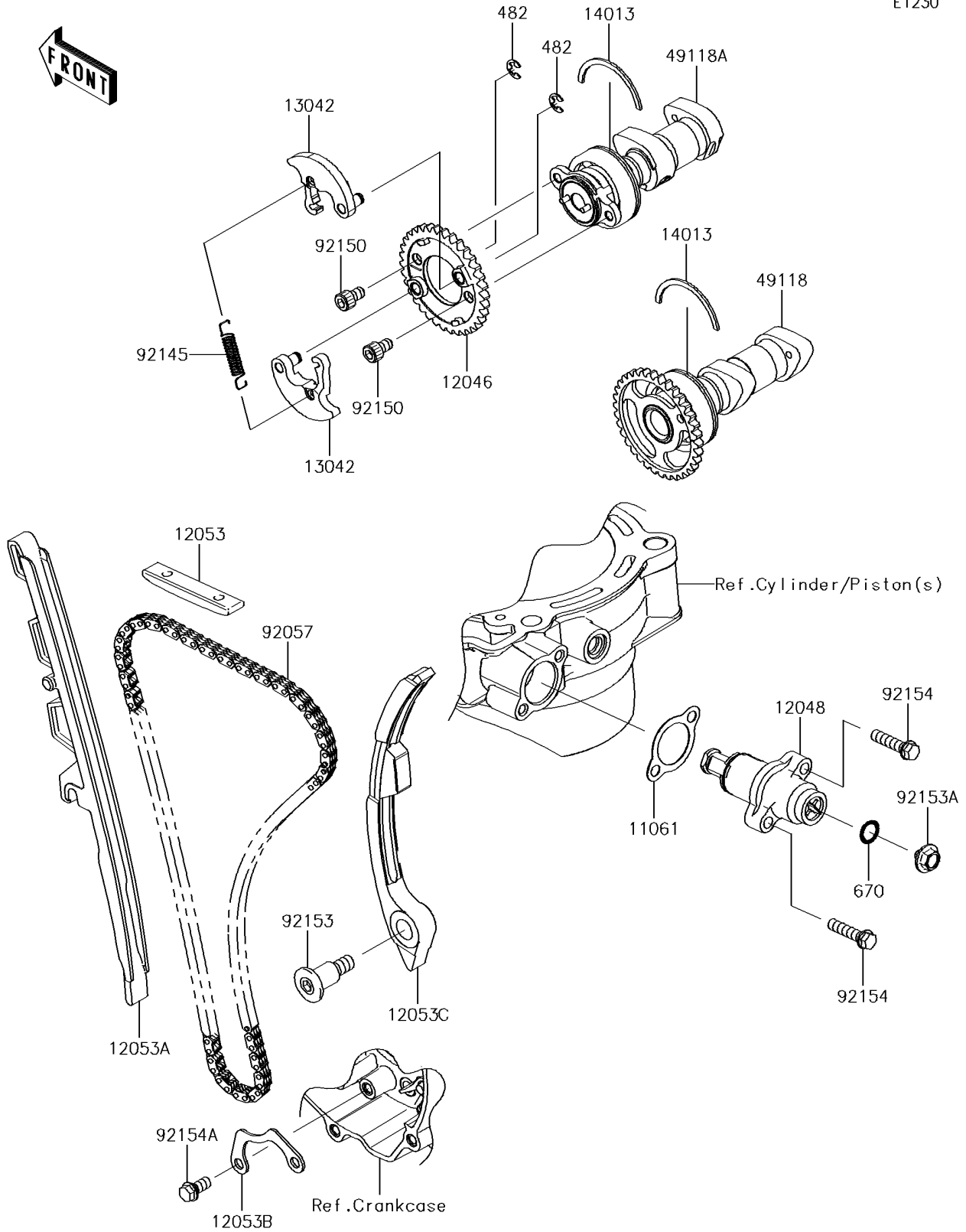


2017 KX™ 450F PARTS DIAGRAM

Camshaft(s)/Tensioner

E1230



2017 KX™ 450F PARTS LIST

Camshaft(s)/Tensioner

| ITEM NAME | PART NUMBER | QUANTITY |
|--|-------------|----------|
| GASKET (Ref # 11061) | 11061-0260 | 1 |
| SPROCKET,34T (Ref # 12046) | 12046-0071 | 1 |
| TENSIONER-ASSY (Ref # 12048) | 12048-0021 | 1 |
| GUIDE-CHAIN,UPP (Ref # 12053) | 12053-0051 | 1 |
| GUIDE-CHAIN,FR (Ref # 12053A) | 12053-0224 | 1 |
| GUIDE-CHAIN,CAM CHAIN STOPPER (Ref # 12053B) | 12053-0226 | 1 |
| GUIDE-CHAIN,RR (Ref # 12053C) | 12053-0234 | 1 |
| WEIGHT (Ref # 13042) | 13042-0005 | 2 |
| RING-POSITION (Ref # 14013) | 14013-0001 | 2 |
| CIRCLIP-TYPE-E,5MM (Ref # 482) | 482J5000 | 2 |
| CAMSHAFT-COMP,INTAKE (Ref # 49118) | 49118-0874 | 1 |
| CAMSHAFT-COMP,EXHAUST (Ref # 49118A) | 49118-0875 | 1 |
| O RING,10MM (Ref # 670) | 670D2010 | 1 |
| CHAIN,CAM,98XRH2010-122M (Ref # 92057) | 92057-0180 | 1 |
| SPRING (Ref # 92145) | 92145-0390 | 1 |
| BOLT,SOCKET,6X10 (Ref # 92150) | 92150-1650 | 2 |
| BOLT,8X29.5 (Ref # 92153) | 92153-0717 | 1 |
| BOLT,6X6 (Ref # 92153A) | 92153-1380 | 1 |
| BOLT,FLANGED,6X25 (Ref # 92154) | 92154-0520 | 2 |
| BOLT,FLANGED,6X12 (Ref # 92154A) | 92154-2095 | 1 |