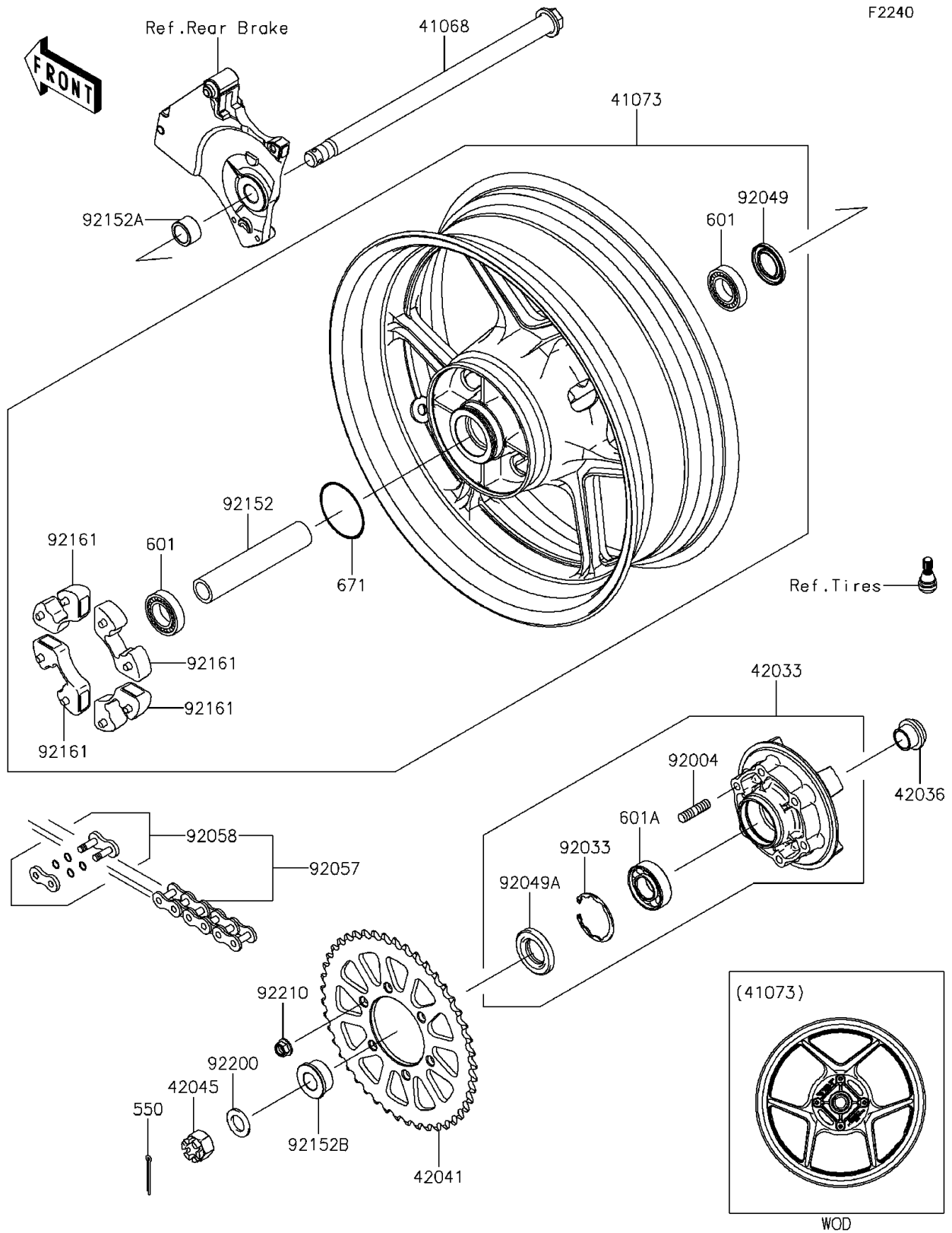


2016 Z800 ABS PARTS DIAGRAM

Rear Wheel/Chain



2016 Z800 ABS PARTS LIST

Rear Wheel/Chain

ITEM NAME	PART NUMBER	QUANTITY
AXLE,RR (Ref # 41068)	41068-0579	1
WHEEL-ASSY,RR,G.BLACK (Ref # 41073)	41073-0593-QT	1
COUPLING-ASSY,RR HUB (Ref # 42033)	42033-0043	1
SLEEVE,RR HUB,L=23 (Ref # 42036)	42036-1251	1
SPROCKET-HUB,45T (Ref # 42041)	42041-0119	1
NUT,CASTLE,18MM (Ref # 42045)	42045-018	1
PIN-COTTER,4.0X35 (Ref # 550)	550AA4035	1
BEARING-BALL,6204UUC3 (Ref # 601)	601B6204UU	1
BEARING-BALL (Ref # 601A)	601B6205UU	1
O RING,60MM (Ref # 671)	671B2560	1
STUD,10X19 (Ref # 92004)	92004-0028	1
RING-SNAP,52MM (Ref # 92033)	92033-1043	1
SEAL-OIL,28 47 5 (Ref # 92049)	92049-0140	1
SEAL-OIL (Ref # 92049A)	92049-1287	1
CHAIN,DRIVE,EK520MVXL2X114L (Ref # 92057)	92057-0184	1
JOINT-CHAIN,DRIVE (Ref # 92058)	92058-0021	1
COLLAR,RR HUB,L=150 (Ref # 92152)	92152-0070	1
COLLAR,20X28X16.4 (Ref # 92152A)	92152-1583	1
COLLAR,20X35X18 (Ref # 92152B)	92152-1585	1
DAMPER,SHOCK,RR HUB (Ref # 92161)	92161-0342	1
WASHER,19X32X2.6 (Ref # 92200)	92200-1489	1
NUT,LOCK,FLANGED,10MM (Ref # 92210)	92210-0276	1