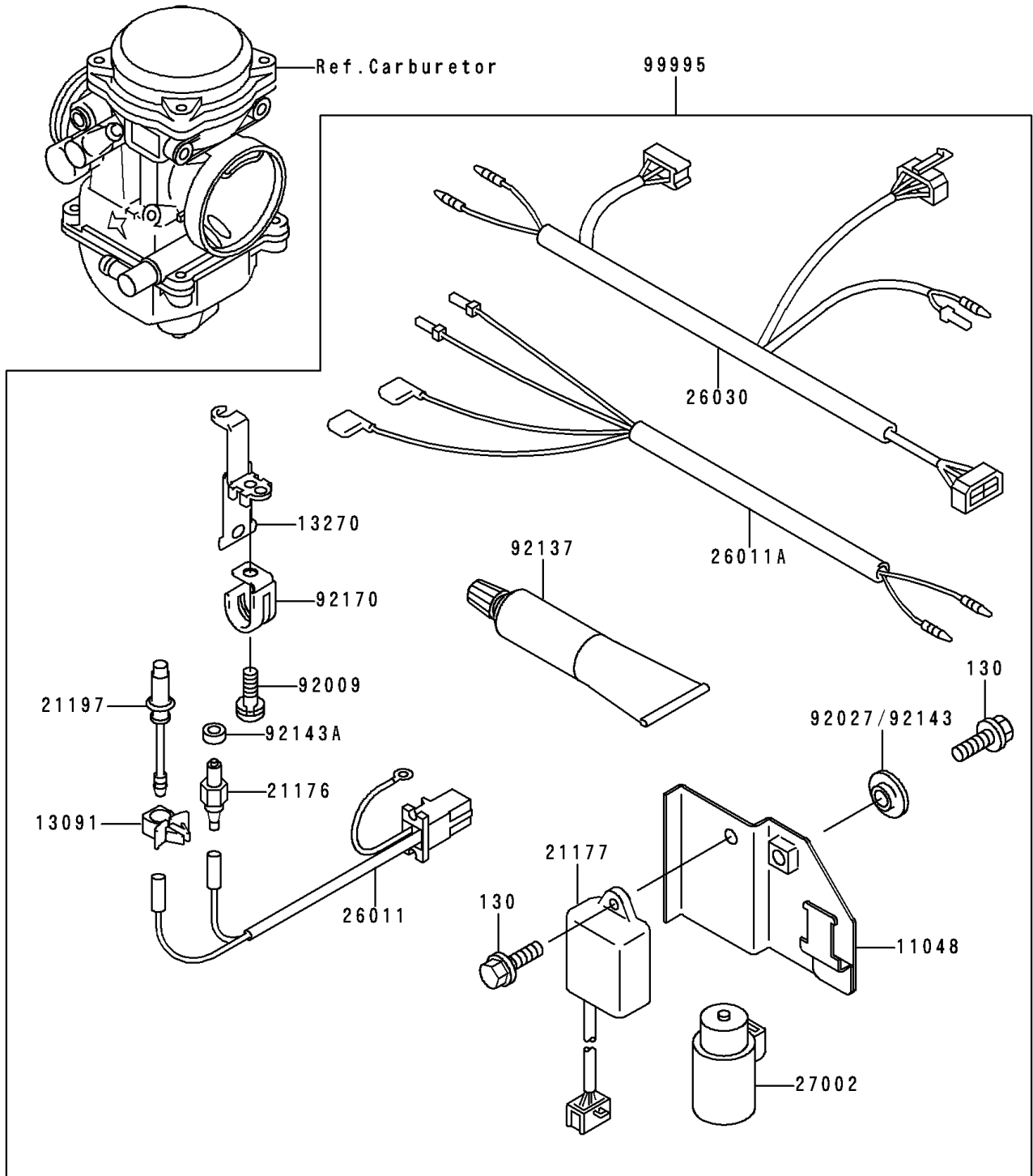


1999 Bayou 400 4X4 PARTS DIAGRAM

Optional Parts(Carburetor)

F2890A



1999 Bayou 400 4X4 PARTS LIST

Optional Parts(Carburetor)

ITEM NAME	PART NUMBER	QUANTITY
BOLT-FLANGED,6X14,BLACK (Ref # 130)	130J0614	2
BRACKET,ELECTRIC (Ref # 11048)	11048-1966	1
HOLDER,HEATER (Ref # 13091)	13091-1866	1
PLATE,HEATER STAY (Ref # 13270)	13270-1145	1
SENSOR (Ref # 21176)	21176-1069	1
CONTROLLER (Ref # 21177)	21177-1056	1
HEATER (Ref # 21197)	21197-1003	1
WIRE-LEAD (Ref # 26011)	26011-1606	1
WIRE-LEAD (Ref # 26011A)	26011-1614	1
HARNESS,RR (Ref # 26030)	26030-1421	1
RELAY-ASSY (Ref # 27002)	27002-1095	1
SCREW (Ref # 92009)	92009-1706	1
COLLAR,L=3.5 (Ref # 92027)	92027-1018	1
SILICONE COMPOUND (Ref # 92137)	92137-1001	1
COLLAR,L=5 (Ref # 92143)	92143-1087	1
COLLAR (Ref # 92143A)	92143-1747	1
CLAMP,HARNESS (Ref # 92170)	92170-1396	1
KIT.WARMER (Ref # 99995)	99995-1422	1