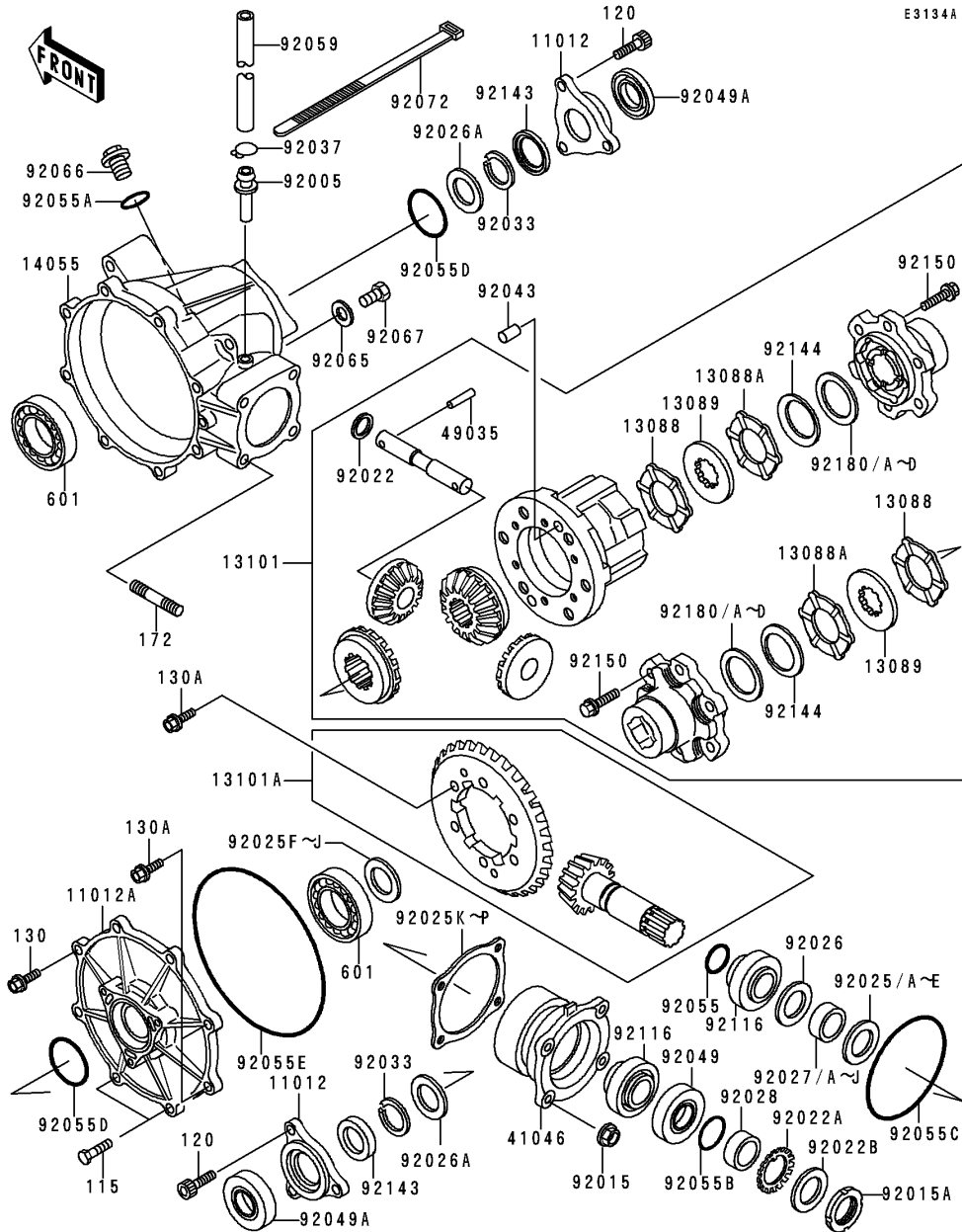


1999 Bayou 400 4X4 PARTS DIAGRAM

Drive Shaft(Differential)



1999 Bayou 400 4X4 PARTS LIST

Drive Shaft(Differential)

| ITEM NAME | PART NUMBER | QUANTITY |
|------------------------------------|-------------|----------|
| CAP (Ref # 11012) | 11012-1648 | 2 |
| CAP,GEAR CASE (Ref # 11012A) | 11012-1649 | 1 |
| PLATE-FRICTION (Ref # 13088) | 13088-1075 | 2 |
| PLATE-FRICTION (Ref # 13088A) | 13088-1078 | 2 |
| PLATE-CLUTCH (Ref # 13089) | 13089-1083 | 2 |
| GEAR-ASSY (Ref # 13101) | 13101-1190 | 1 |
| GEAR-ASSY,BEVEL (Ref # 13101A) | 13101-5083 | 1 |
| CASE-GEAR,FR (Ref # 14055) | 14055-1114 | 1 |
| HOUSING-BEARING (Ref # 41046) | 41046-1089 | 1 |
| PIN-SPRING (Ref # 49035) | 49035-1056 | 2 |
| FITTING,BREATHER (Ref # 92005) | 92005-1127 | 1 |
| NUT,8MM (Ref # 92015) | 92015-1402 | 4 |
| NUT,25MM (Ref # 92015A) | 92015-1768 | 1 |
| WASHER (Ref # 92022) | 92022-1941 | 2 |
| WASHER,TOOTHED (Ref # 92022A) | 92022-1990 | 1 |
| WASHER,25.3X32X0.5 (Ref # 92022B) | 92022-225 | 1 |
| SHIM,25.2X29.8X1.70 (Ref # 92025) | 92025-1072 | AR |
| SHIM,25.2X29.8X1.72 (Ref # 92025A) | 92025-1073 | AR |
| SHIM,25.2X29.8X1.74 (Ref # 92025B) | 92025-1074 | AR |
| SHIM,25.2X29.8X1.76 (Ref # 92025C) | 92025-1075 | AR |
| SHIM,25.2X29.8X1.78 (Ref # 92025D) | 92025-1076 | AR |
| SHIM,25.2X29.8X1.80 (Ref # 92025E) | 92025-1077 | AR |
| SHIM,35.3X46X1.00 (Ref # 92025F) | 92025-1849 | AR |
| SHIM,35.3X46X0.10 (Ref # 92025G) | 92025-1850 | AR |
| SHIM,35.3X46X0.15 (Ref # 92025H) | 92025-1851 | AR |
| SHIM,35.3X46X0.50 (Ref # 92025I) | 92025-1856 | AR |
| SHIM,35.3X46X0.80 (Ref # 92025J) | 92025-1857 | AR |
| SHIM,T=0.10 (Ref # 92025K) | 92025-1919 | AR |
| SHIM,T=0.15 (Ref # 92025L) | 92025-1920 | AR |

1999 Bayou 400 4X4 PARTS LIST

Drive Shaft(Differential)

| ITEM NAME | PART NUMBER | QUANTITY |
|--------------------------------------|-------------|----------|
| SHIM,T=0.50 (Ref # 92025M) | 92025-1921 | AR |
| SHIM,T=0.80 (Ref # 92025N) | 92025-1922 | AR |
| SHIM,T=1.00 (Ref # 92025O) | 92025-1923 | AR |
| SHIM,T=1.20 (Ref # 92025P) | 92025-1924 | AR |
| SPACER (Ref # 92026) | 92026-1337 | 1 |
| SPACER,29X40X1.0 (Ref # 92026A) | 92026-1338 | 2 |
| COLLAR,25.2X29.8X10.2 (Ref # 92027) | 92027-1401 | AR |
| COLLAR,25.2X29.8X10.3 (Ref # 92027A) | 92027-1402 | AR |
| COLLAR,25.2X29.8X10.4 (Ref # 92027B) | 92027-1403 | AR |
| COLLAR,25.2X29.8X10.5 (Ref # 92027C) | 92027-1404 | AR |
| COLLAR,25.2X29.8X10.6 (Ref # 92027D) | 92027-1405 | AR |
| BOLT-SMALL-UPSET (Ref # 115) | 115P0830 | 2 |
| BOLT-SOCKET,6X16 (Ref # 120) | 120P0616 | 6 |
| BOLT-FLANGED,8X30 (Ref # 130) | 130P0830 | 4 |
| BOLT-FLANGED (Ref # 130A) | 130P1035 | 8 |
| BOLT-STUD,8X22 (Ref # 172) | 172G0822 | 4 |
| BEARING-BALL (Ref # 601) | 601B6007 | 2 |
| COLLAR,25.2X29.8X10.7 (Ref # 92027E) | 92027-1406 | AR |
| COLLAR,25.2X29.8X10.8 (Ref # 92027F) | 92027-1407 | AR |
| COLLAR,25.2X29.8X10.9 (Ref # 92027G) | 92027-1408 | AR |
| COLLAR,25.2X29.8X11.0 (Ref # 92027H) | 92027-1409 | AR |
| COLLAR,25.2X29.8X11.1 (Ref # 92027I) | 92027-1410 | AR |
| COLLAR,25.2X29.8X11.2 (Ref # 92027J) | 92027-1411 | AR |
| BUSHING (Ref # 92028) | 92028-1699 | 1 |
| RING-SNAP (Ref # 92033) | 92033-1249 | 2 |
| CLAMP,TUBE (Ref # 92037) | 92037-147 | 1 |
| PIN,8X18 (Ref # 92043) | 92043-1400 | 2 |
| SEAL-OIL,TC35X55X8 (Ref # 92049) | 92049-1298 | 1 |
| SEAL-OIL,TC30487 (Ref # 92049A) | 92049-1309 | 2 |

1999 Bayou 400 4X4 PARTS LIST

Drive Shaft(Differential)

| ITEM NAME | PART NUMBER | QUANTITY |
|---|-------------|----------|
| RING-O,19.5X1.5 (Ref # 92055) | 92055-055 | 1 |
| RING-O,25.7X2.4 (Ref # 92055A) | 92055-1136 | 1 |
| RING-O,24.7MM (Ref # 92055B) | 92055-1160 | 1 |
| RING-O,65.2X2.4 (Ref # 92055C) | 92055-1408 | 1 |
| RING-O,46X2.5 (Ref # 92055D) | 92055-1409 | 2 |
| RING-O,154.1X2.5 (Ref # 92055E) | 92055-1410 | 1 |
| TUBE,4.7X9.5X900 (Ref # 92059) | 92059-1929 | 1 |
| GASKET,10.5X16X1,DRAIN PLUG (Ref # 92065) | 92065-058 | 1 |
| PLUG (Ref # 92066) | 92066-1303 | 1 |
| PLUG,DRAIN,10X12 (Ref # 92067) | 92067-001 | 1 |
| BAND,L=149 (Ref # 92072) | 92072-031 | 1 |
| BEARING-ROLLER,4T30205 (Ref # 92116) | 92116-1003 | 2 |
| COLLAR (Ref # 92143) | 92143-1703 | 2 |
| SPRING (Ref # 92144) | 92144-1671 | 2 |
| BOLT (Ref # 92150) | 92150-1109 | 12 |
| SHIM,32X48X0.8 (Ref # 92180) | 92180-1121 | AR |
| SHIM,32X48X1.0 (Ref # 92180A) | 92180-1122 | AR |
| SHIM,32X48X1.2 (Ref # 92180B) | 92180-1123 | AR |
| SHIM,32X48X1.4 (Ref # 92180C) | 92180-1124 | AR |
| SHIM,32X48X1.6 (Ref # 92180D) | 92180-1125 | AR |