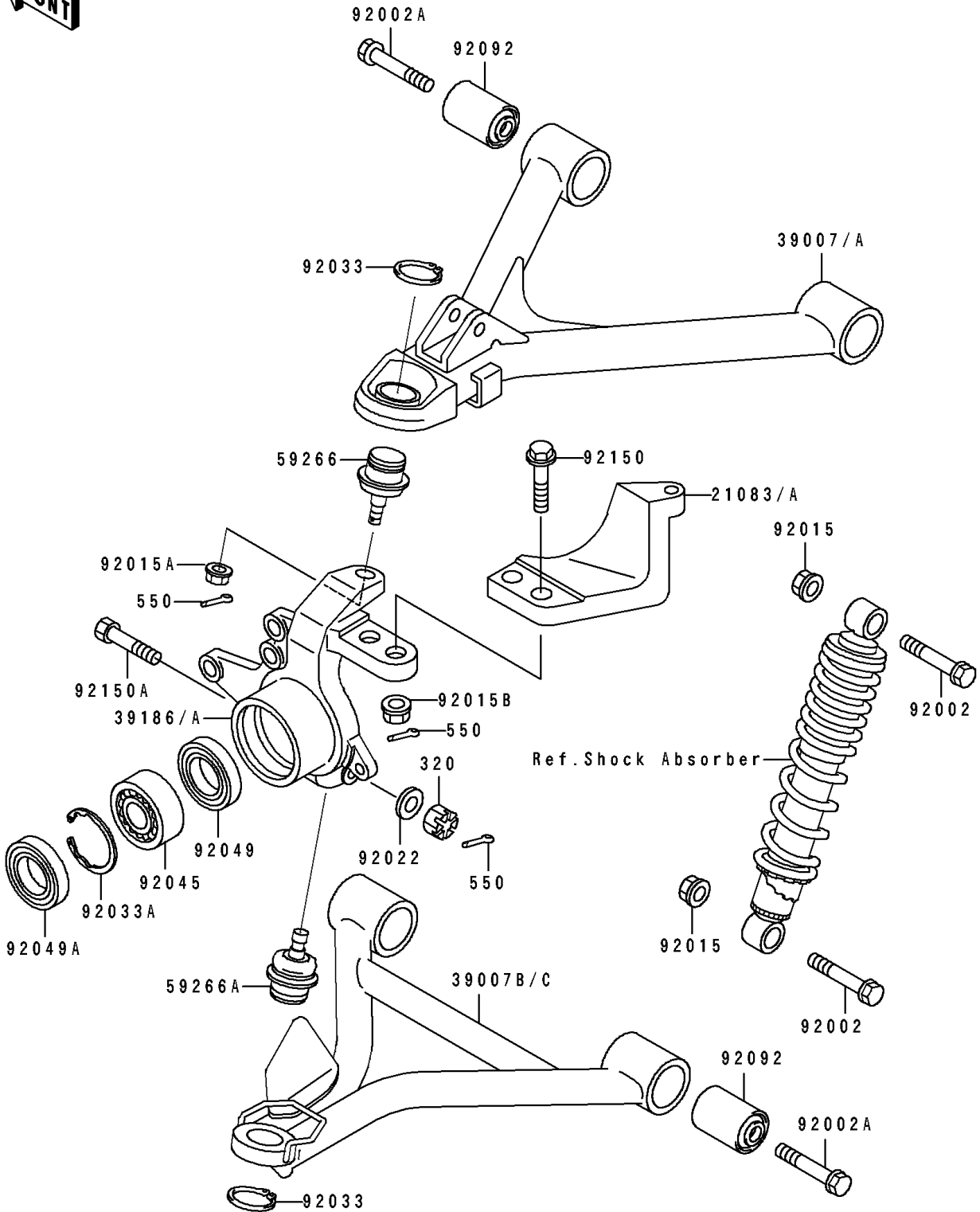


# 1994 Bayou 400 4X4 PARTS DIAGRAM

## Front Suspension

F2152



# 1994 Bayou 400 4X4 PARTS LIST

Front Suspension

ITEM NAME	PART NUMBER	QUANTITY
-----------	-------------	----------