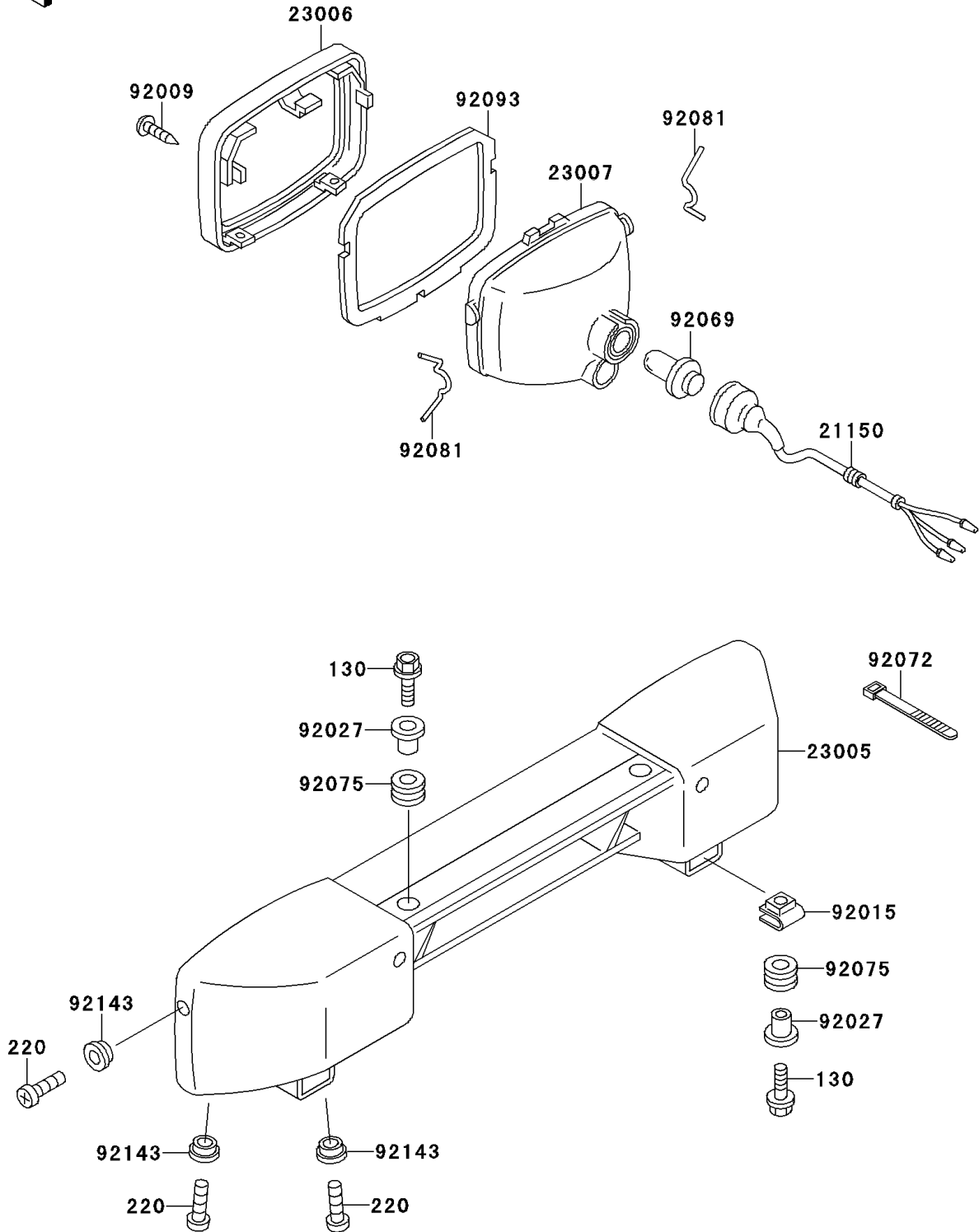


1994 Bayou 300 4X4 PARTS DIAGRAM

Headlight(s)

F2710



1994 Bayou 300 4X4 PARTS LIST

Headlight(s)

| ITEM NAME | PART NUMBER | QUANTITY |
|---------------------------------------|-------------|----------|
| BOLT-FLANGED,6X25 (Ref # 130) | 130J0625 | 1 |
| SCREW-PAN-CROS,5X16,BLACK (Ref # 220) | 220C0516 | 1 |
| CORD-ASSY,HEAD LAMP (Ref # 21150) | 21150-1053 | 1 |
| BODY-COMP-HEAD LAMP (Ref # 23005) | 23005-1113 | 1 |
| RIM-LAMP (Ref # 23006) | 23006-1062 | 1 |
| LENS-COMP,HEAD LAMP (Ref # 23007) | 23007-1274 | 1 |
| SCREW,TAPPING,4X30 (Ref # 92009) | 92009-1139 | 1 |
| NUT,CLAMP,6MM (Ref # 92015) | 92015-1678 | 1 |
| COLLAR,L=16.1 (Ref # 92027) | 92027-1847 | 1 |
| BULB,12V 25/25W (Ref # 92069) | 92069-1010 | 1 |
| BAND,L=149 (Ref # 92072) | 92072-031 | 1 |
| DAMPER (Ref # 92075) | 92075-1690 | 1 |
| SPRING,LAMP RIM (Ref # 92081) | 92081-1334 | 1 |
| SEAL,HEAD LAMP (Ref # 92093) | 92093-1261 | 1 |
| COLLAR (Ref # 92143) | 92143-1234 | 1 |