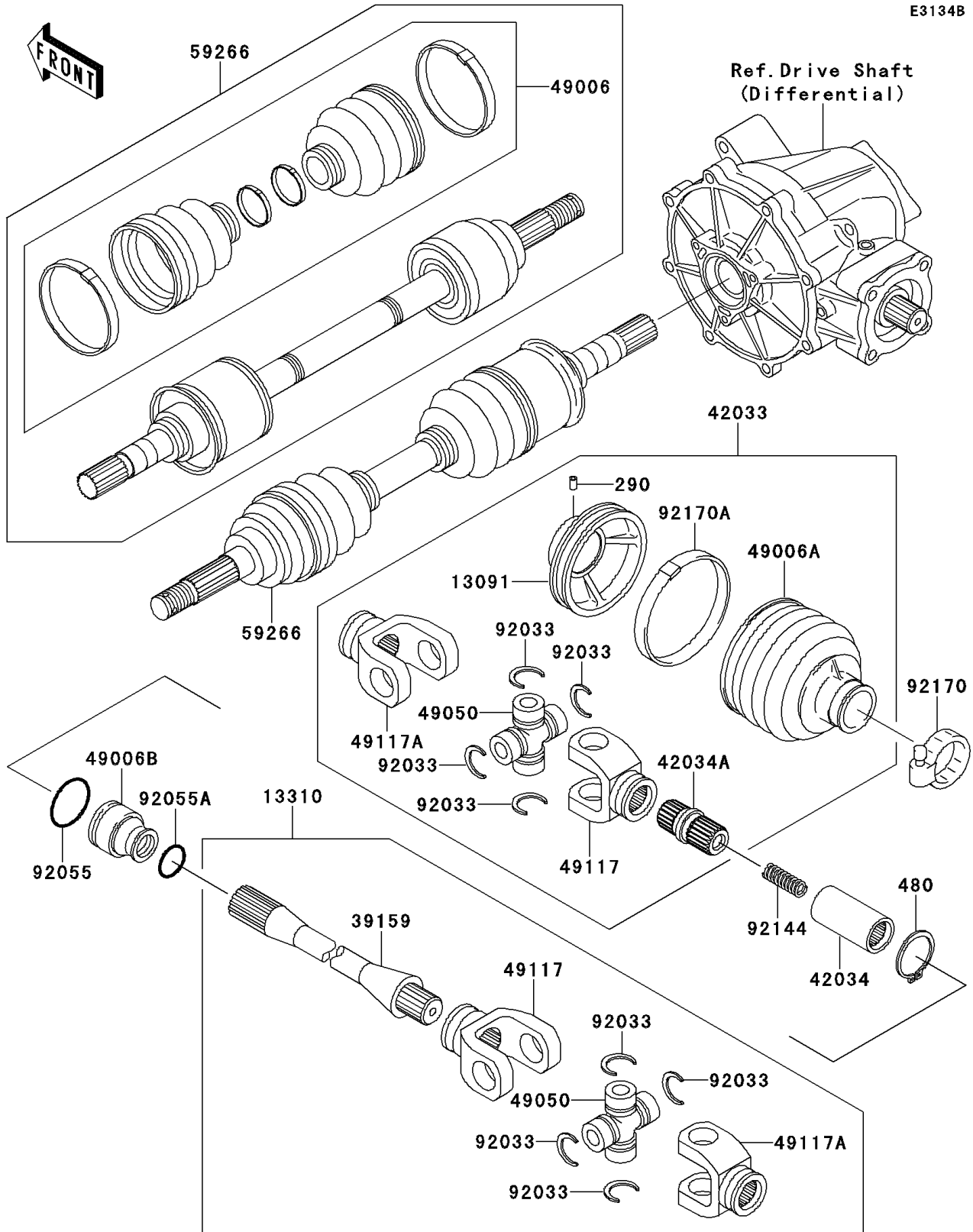


1996 Bayou 300 4X4 PARTS DIAGRAM

Drive Shaft(Front)(KLF300-C7&NAMI.C9)

E3134B



1996 Bayou 300 4X4 PARTS LIST

Drive Shaft(Front)(KLF300-C7&NAMI.C9)

ITEM NAME	PART NUMBER	QUANTITY
-----------	-------------	----------