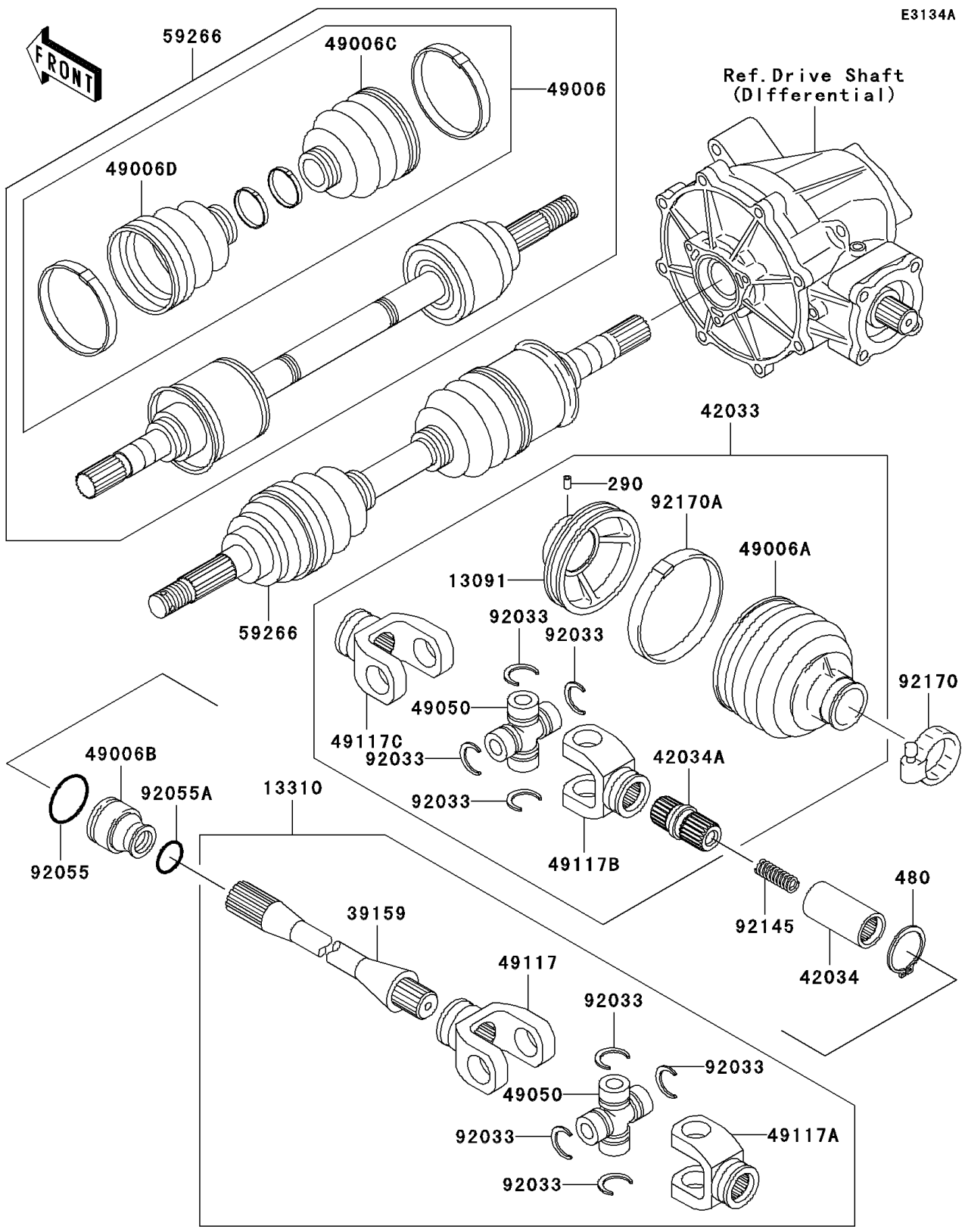


2002 Bayou 300 4X4 PARTS DIAGRAM

Drive Shaft(Front)

E3134A



2002 Bayou 300 4X4 PARTS LIST

Drive Shaft(Front)

| ITEM NAME | PART NUMBER | QUANTITY |
|--|-------------|----------|
| SCREW-SET-SOCKET (Ref # 290) | 290Q0508 | 2 |
| CIRCLIP-TYPE-C,22MM (Ref # 480) | 480J2200 | 1 |
| HOLDER (Ref # 13091) | 13091-1863 | 1 |
| SHAFT-ASSY,DRIVE (Ref # 13310) | 13310-1014 | 1 |
| SHAFT-DRIVE (Ref # 39159) | 39159-1097 | 1 |
| COUPLING-ASSY (Ref # 42033) | 42033-1200 | 1 |
| COUPLING (Ref # 42034) | 42034-1103 | 1 |
| COUPLING (Ref # 42034A) | 42034-1127 | 1 |
| BOOT,DRIVE SHAFT (Ref # 49006) | 49006-1252 | 2 |
| BOOT,COUPLING (Ref # 49006A) | 49006-1293 | 1 |
| BOOT,DRIVE SHAFT (Ref # 49006B) | 49006-1295 | 1 |
| BOOT,JOINT BALL,OUTSIDE (Ref # 49006C) | 49006-1318 | 2 |
| BOOT,JOINT BALL,INSIDE (Ref # 49006D) | 49006-1320 | 2 |
| SPIDER (Ref # 49050) | 49050-1055 | 2 |
| YOKE (Ref # 49117) | 49117-1080 | 1 |
| YOKE (Ref # 49117A) | 49117-1081 | 1 |
| YOKE (Ref # 49117B) | 49117-1087 | 1 |
| YOKE (Ref # 49117C) | 49117-1088 | 1 |
| JOINT-BALL (Ref # 59266) | 59266-1103 | 2 |
| RING-SNAP (Ref # 92033) | 92033-1158 | 8 |
| RING-O,19.5X3.0 (Ref # 92055) | 92055-1451 | 1 |
| RING-O,15X3.0 (Ref # 92055A) | 92055-1531 | 1 |
| SPRING (Ref # 92145) | 92145-1055 | 1 |
| CLAMP (Ref # 92170) | 92170-1678 | 1 |
| CLAMP (Ref # 92170A) | 92170-1727 | 1 |