

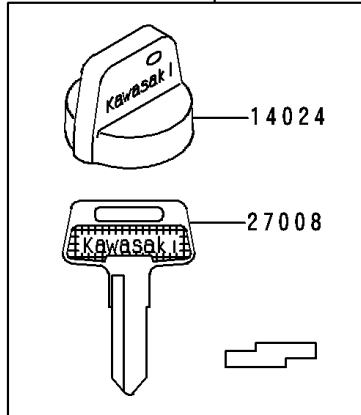
# 1990 Bayou 300 4X4 PARTS DIAGRAM

Ignition Switch

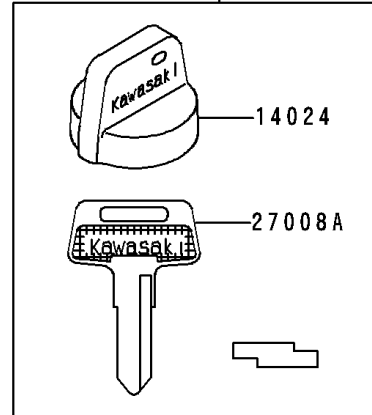
F2770



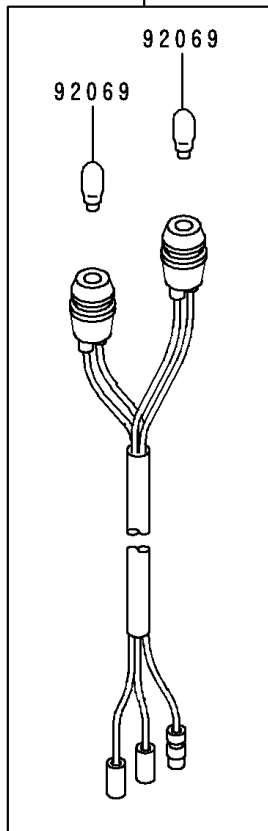
27008D



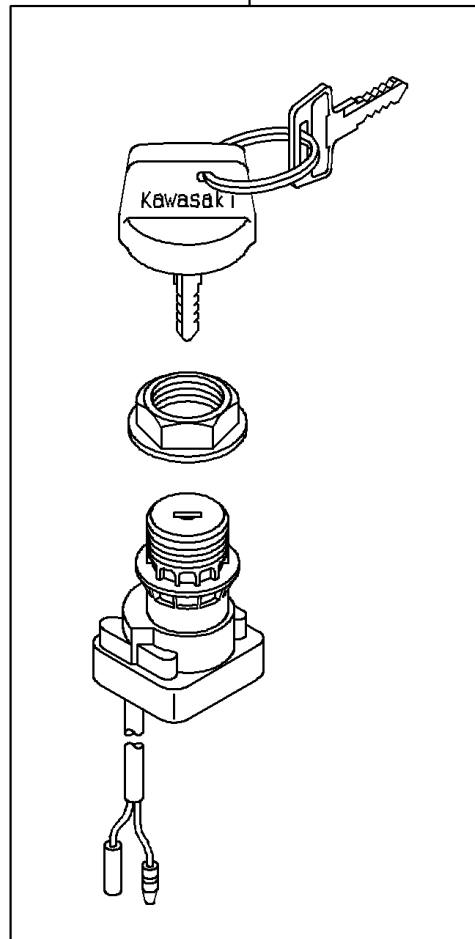
27008E



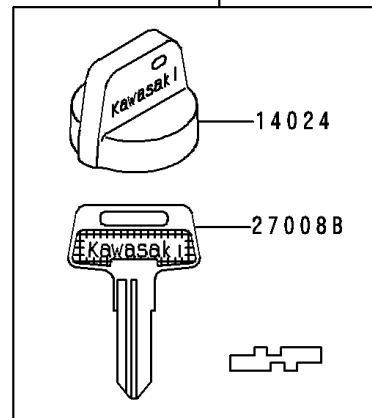
23016



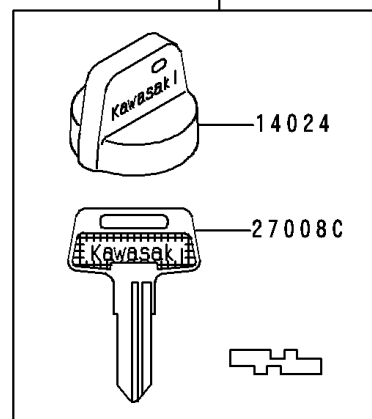
27005/A



27008F



27008G



## 1990 Bayou 300 4X4 PARTS LIST

### Ignition Switch

ITEM NAME	PART NUMBER	QUANTITY
COVER,KEY (Ref # 14024)	14024-1551	4
LAMP-ASSY,NEUTRAL&REVERSE (Ref # 23016)	23016-1083	1
SWITCH-ASSY-IGNITION (Ref # 27005)	27005-1132	1
KEY-LOCK,BLANK (Ref # 27008)	27008-1041	1
KEY-LOCK,BLANK (Ref # 27008A)	27008-1042	1
KEY-LOCK,BLANK (Ref # 27008B)	27008-1043	1
KEY-LOCK,BLANK (Ref # 27008C)	27008-1044	1
KEY-LOCK,BLANK (Ref # 27008D)	27008-1132	1
KEY-LOCK,BLANK (Ref # 27008E)	27008-1133	1
KEY-LOCK,BLANK (Ref # 27008F)	27008-1134	1
KEY-LOCK,BLANK (Ref # 27008G)	27008-1135	1
BULB,12V3W T-7 (Ref # 92069)	92069-1020	2