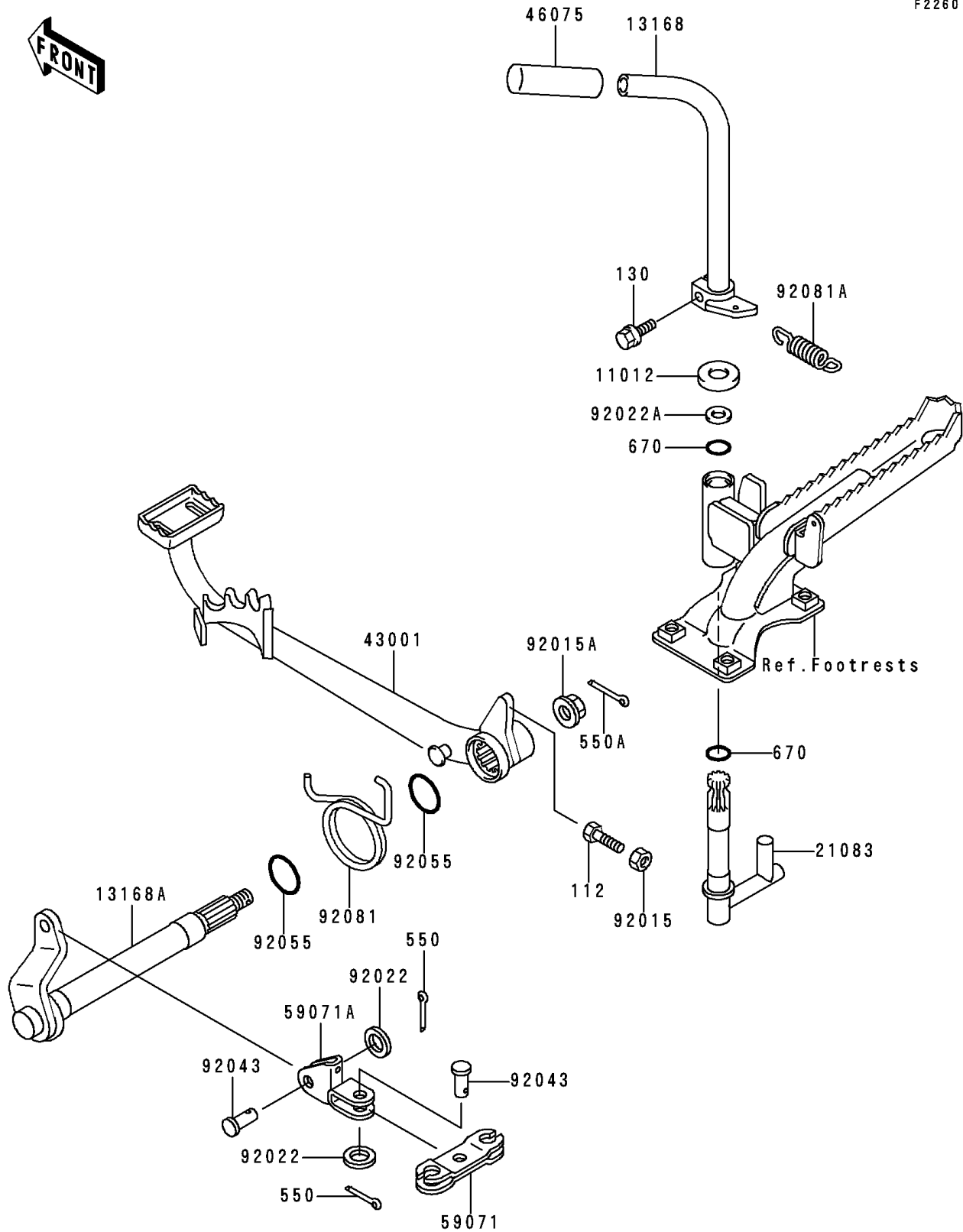


## 1995 Bayou 300 PARTS DIAGRAM

Brake Pedal

F2260



## 1995 Bayou 300 PARTS LIST

### Brake Pedal

| ITEM NAME                                | PART NUMBER | QUANTITY |
|--|-------------|----------|
| BOLT-UPSET (Ref # 112)                   | 112D0622    | 1        |
| BOLT-FLANGED,6X20,BLACK (Ref # 130)      | 130S0620    | 1        |
| PIN-COTTER,2.0X15 (Ref # 550)            | 550D2015    | 1        |
| PIN-COTTER,2.5X18 (Ref # 550A)           | 550D2518    | 1        |
| O RING,12MM (Ref # 670)                  | 670B2012    | 1        |
| CAP,STEP (Ref # 11012)                   | 11012-1482  | 1        |
| LEVER,PARKING BRAKE (Ref # 13168)        | 13168-1282  | 1        |
| LEVER,REAR BRAKE (Ref # 13168A)          | 13168-1366  | 1        |
| ARM,PARKING BRAKE (Ref # 21083)          | 21083-1072  | 1        |
| LEVER-BRAKE,PEDAL,RR (Ref # 43001)       | 43001-1236  | 1        |
| GRIP,PARKING BRAKE LEVER (Ref # 46075)   | 46075-1062  | 1        |
| JOINT (Ref # 59071)                      | 59071-1106  | 1        |
| JOINT (Ref # 59071A)                     | 59071-1138  | 1        |
| NUT,6MM (Ref # 92015)                    | 92015-1410  | 1        |
| NUT,FLANGED,10MM (Ref # 92015A)          | 92015-1415  | 1        |
| WASHER,8.5X16X1.2 (Ref # 92022)          | 92022-1582  | 1        |
| WASHER,12X20X3.2 (Ref # 92022A)          | 92022-1936  | 1        |
| PIN,8X16 (Ref # 92043)                   | 92043-1013  | 1        |
| RING-O,23.8MM (Ref # 92055)              | 92055-1257  | 1        |
| SPRING,BRAKE PEDAL RETURN (Ref # 92081)  | 92081-1887  | 1        |
| SPRING,BRAKE LEVER RETURN (Ref # 92081A) | 92081-1922  | 1        |