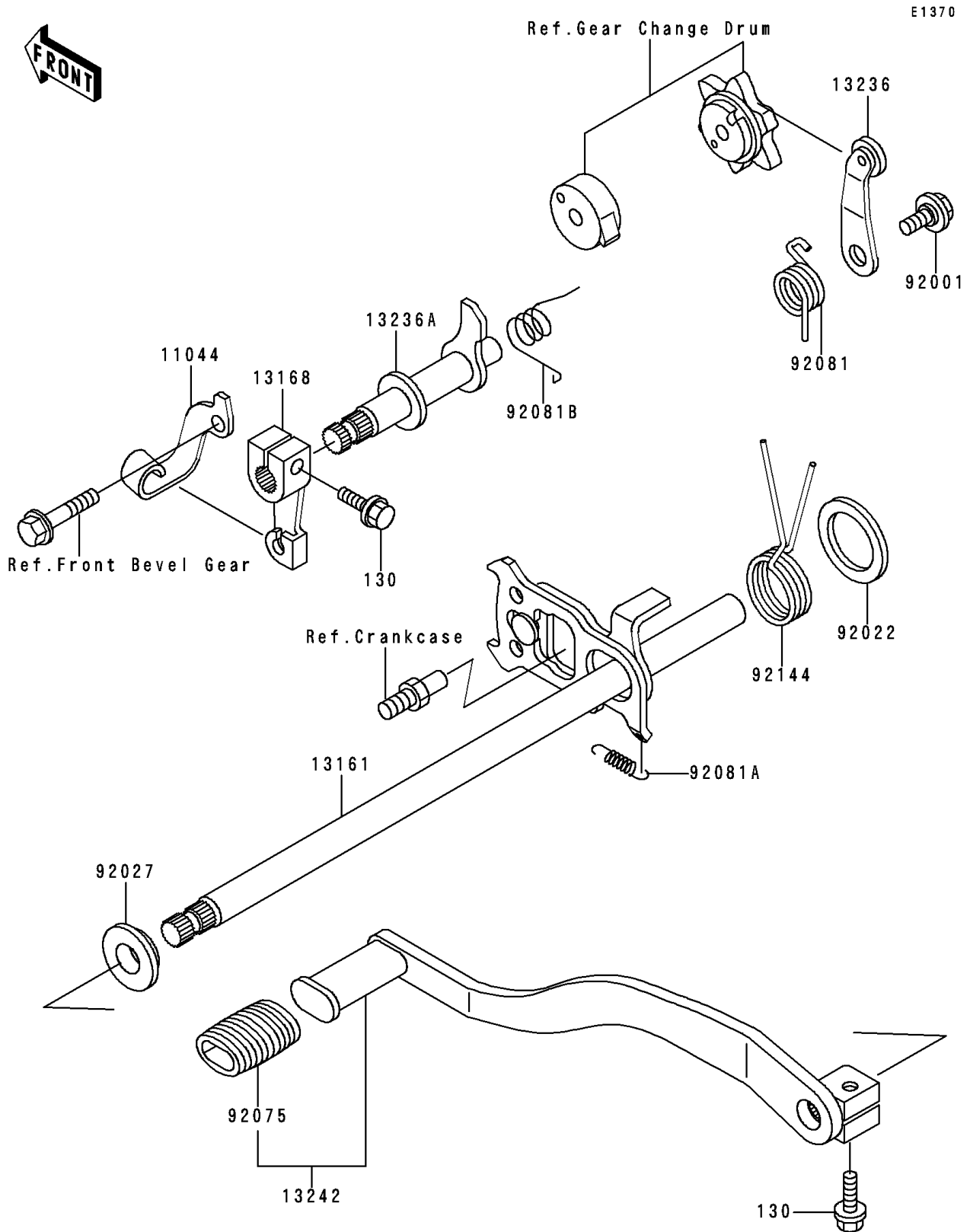


## 1992 Bayou 300 PARTS DIAGRAM

Gear Change Mechanism



## 1992 Bayou 300 PARTS LIST

Gear Change Mechanism

| ITEM NAME                             | PART NUMBER | QUANTITY |
|---------------------------------------|-------------|----------|
| BOLT-FLANGED,6X20,BLACK (Ref # 130)   | 130S0620    | 1        |
| BRACKET,REVERSE CABLE (Ref # 11044)   | 11044-1303  | 1        |
| LEVER-COMP-CHANGE SHAFT (Ref # 13161) | 13161-1196  | 1        |
| LEVER,REVERSE (Ref # 13168)           | 13168-1267  | 1        |
| LEVER-COMP,CHANGE DRUM (Ref # 13236)  | 13236-1178  | 1        |
| LEVER-COMP,REVERSE (Ref # 13236A)     | 13236-1239  | 1        |
| LEVER-ASSY-CHANGE,PEDAL (Ref # 13242) | 13242-1236  | 1        |
| BOLT,GEAR CHANGE LEVER (Ref # 92001)  | 92001-1715  | 1        |
| WASHER,25.5X36X1 (Ref # 92022)        | 92022-057   | 1        |
| COLLAR,L=5.2 (Ref # 92027)            | 92027-1891  | 1        |
| DAMPER,CHANGE PEDAL (Ref # 92075)     | 92075-1585  | 1        |
| SPRING (Ref # 92081)                  | 92081-1496  | 1        |
| SPRING,CHANGE LEVER (Ref # 92081A)    | 92081-1753  | 1        |
| SPRING,REVERSE LEVER (Ref # 92081B)   | 92081-1850  | 1        |
| SPRING (Ref # 92144)                  | 92144-1798  | 1        |