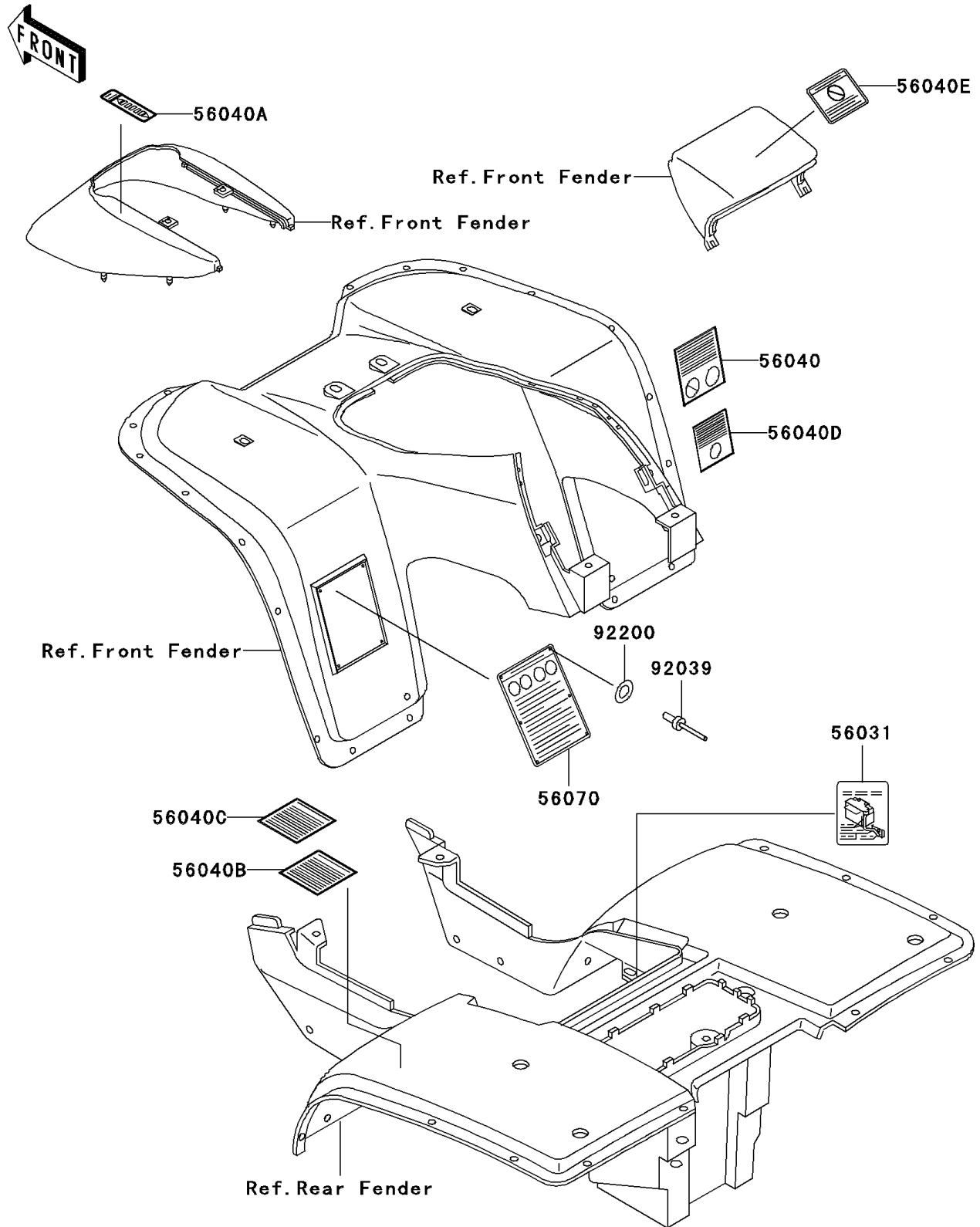


## 2002 Bayou 300 PARTS DIAGRAM

Labels

F2860



## 2002 Bayou 300 PARTS LIST

Labels

ITEM NAME	PART NUMBER	QUANTITY
LABEL-MANUAL,BATTERY VENT (Ref # 56031)	56031-1607	1
LABEL-WARNING,TRANSPORT (Ref # 56040)	56040-1261	1
LABEL-WARNING,SHIFT PATTERN (Ref # 56040A)	56040-1262	1
LABEL-WARNING,TIRE PRESSURE (Ref # 56040B)	56040-1272	1
LABEL-WARNING,LOAD (Ref # 56040C)	56040-1274	1
LABEL-WARNING,DIFFERENTIAL (Ref # 56040D)	56040-1275	1
LABEL-WARNING,UNDER 16 (Ref # 56040E)	56040-1276	1
LABEL-WARNING,SERIOUS INJURY (Ref # 56070)	56070-1151	1
RIVET (Ref # 92039)	92039-1235	1
WASHER,3.5X8X1 (Ref # 92200)	92200-1251	1