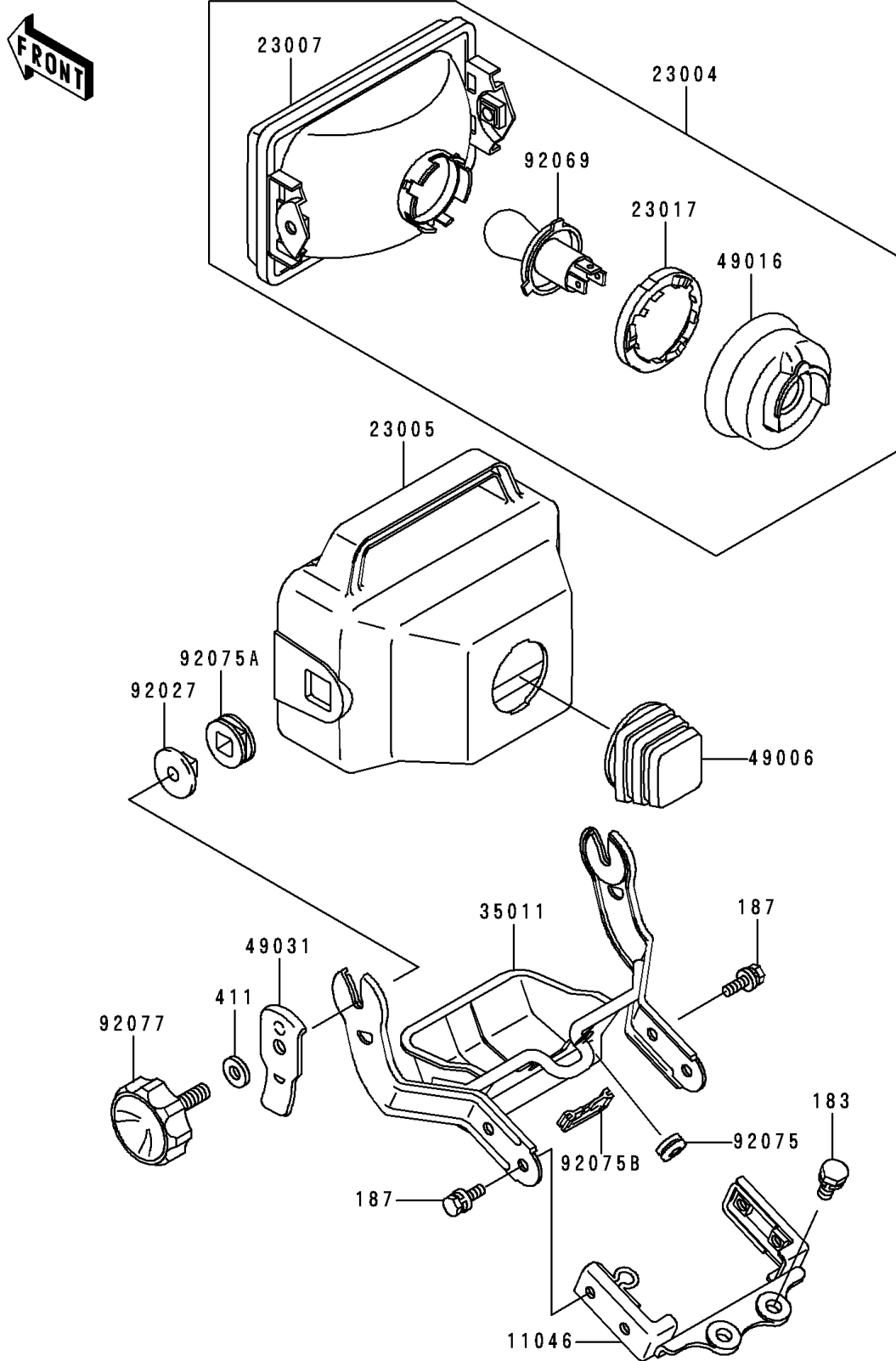


# 1991 Bayou 300 PARTS DIAGRAM

Head Lamp

F2710



# 1991 Bayou 300 PARTS LIST

## Head Lamp

| ITEM NAME                               | PART NUMBER   | QUANTITY |
|---|---------------|----------|
| BOLT-UPSET-WS-SMALL (Ref # 183)         | 183J0814      | 2        |
| BOLT-UPSET-WSP (Ref # 187)              | 187C0614      | 4        |
| WASHER-PLAIN,8MM,BLACK (Ref # 411)      | 411F0800      | 2        |
| BRACKET,HEAD LAMP (Ref # 11046)         | 11045-1924    | 1        |
| LAMP-HEAD (Ref # 23004)                 | 23004-1192    | 1        |
| BODY-COMP-HEAD LAMP,BLACK (Ref # 23005) | 23005-1064-6Z | 1        |
| LENS-COMP,HEAD LAMP (Ref # 23007)       | 23007-1138    | 1        |
| SOCKET,BULB (Ref # 23017)               | 23017-1051    | 1        |
| STAY,HEAD LAMP (Ref # 35011)            | 35011-1413    | 1        |
| BOOT,HEAD LAMP BODY (Ref # 49006)       | 49006-1172    | 1        |
| COVER-SEAL,BULB SOCKET (Ref # 49016)    | 49016-1111    | 1        |
| LATCH,HEAD LAMP (Ref # 49031)           | 49031-1052    | 2        |
| COLLAR,L=11.9 (Ref # 92027)             | 92027-1938    | 2        |
| BULB,12V 65/60W (Ref # 92069)           | 92069-1069    | 1        |
| DAMPER,HEAD LAMP HOLDER (Ref # 92075)   | 92075-1482    | 1        |
| DAMPER,HEAD LAMP FITTING (Ref # 92075A) | 92075-1768    | 2        |
| DAMPER (Ref # 92075B)                   | 92075-1881    | 1        |
| KNOB,HEAD LAMP (Ref # 92077)            | 92077-1060    | 2        |