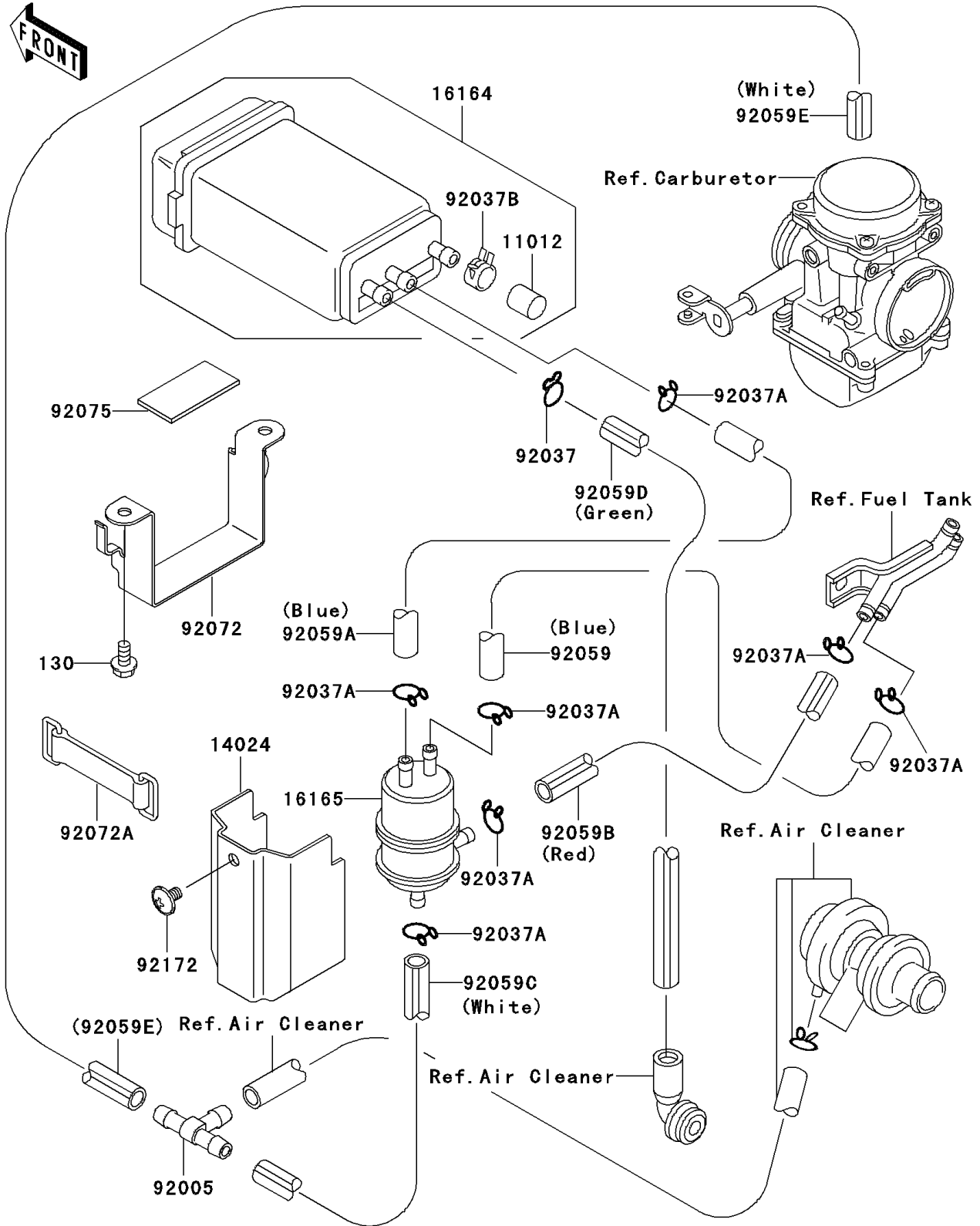


# 2007 Ninja® 500R PARTS DIAGRAM

Fuel Evaporative System(D6F/D7F)(CA)

E1650



## 2007 Ninja® 500R PARTS LIST

Fuel Evaporative System(D6F/D7F)(CA)

ITEM NAME	PART NUMBER	QUANTITY
BOLT-FLANGED,6X12 (Ref # 130)	130AA0612	2
CAP,CANISTER (Ref # 11012)	11012-1388	1
COVER,SEPARATOR (Ref # 14024)	14024-1399	1
CANISTER (Ref # 16164)	16164-1054	1
SEPARATOR (Ref # 16165)	16165-1001	1
FITTING,TUBE,T-TYPE (Ref # 92005)	92005-1017	1
CLAMP,HOSE (Ref # 92037)	92037-1104	1
CLAMP,TUBE (Ref # 92037A)	92037-147	7
CLAMP,CANISTER (Ref # 92037B)	92037-1512	1
TUBE,5X10X170,BLUE (Ref # 92059)	92059-1496	1
TUBE,5X10X320,BLUE (Ref # 92059A)	92059-1499	1
TUBE,5X10X250,RED (Ref # 92059B)	92059-1809	1
TUBE,5X10X380,WHITE (Ref # 92059C)	92059-1824	1
TUBE,7X12X410,GREEN (Ref # 92059D)	92059-1825	1
TUBE,5X10X160,WHITE (Ref # 92059E)	92059-1826	1
BAND,CANISTER (Ref # 92072)	92072-1216	1
BAND,L=50 (Ref # 92072A)	92072-1419	1
DAMPER (Ref # 92075)	92075-1830	1
SCREW,6X10 (Ref # 92172)	92172-0005	1