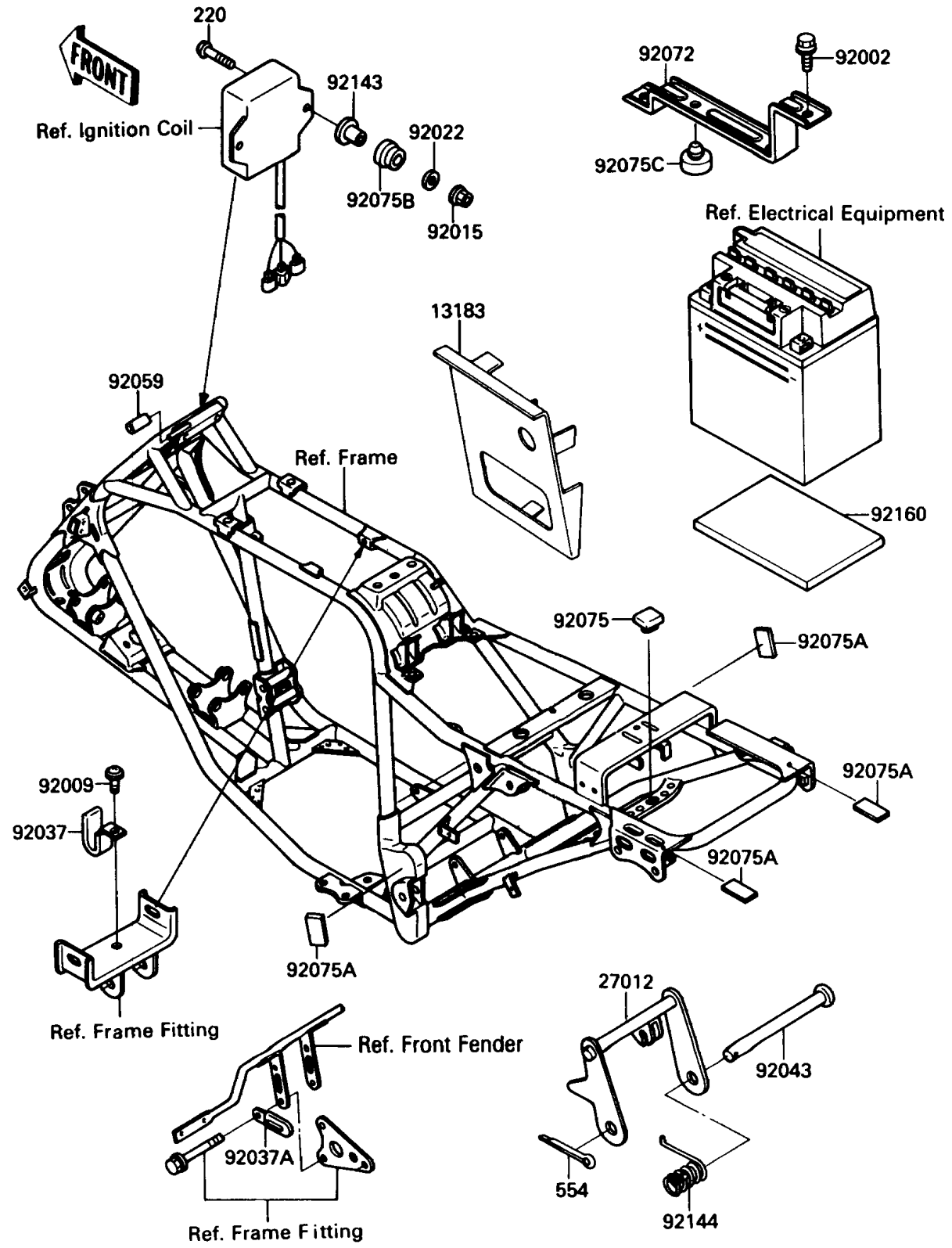


# 1989 Bayou 220 PARTS DIAGRAM

Battery Case

F2132-0182



# 1989 Bayou 220 PARTS LIST

## Battery Case

| ITEM NAME                          | PART NUMBER | QUANTITY |
|------------------------------------|-------------|----------|
| SCREW-PAN-CROS,6X25 (Ref # 220)    | 220B0625    | 2        |
| PIN-SNAP (Ref # 554)               | 554A0600    | 1        |
| PLATE,ELECTRIC BASE (Ref # 13183)  | 13183-1134  | 1        |
| HOOK,SEAT (Ref # 27012)            | 27012-1381  | 1        |
| BOLT,6X14 (Ref # 92002)            | 92002-1351  | 2        |
| SCREW,6X14 (Ref # 92009)           | 92009-1288  | 1        |
| NUT,LOCK,FLANGED,6MM (Ref # 92015) | 92015-1675  | 2        |
| WASHER,7X18X1.2 (Ref # 92022)      | 92022-1545  | 2        |
| CLAMP (Ref # 92037)                | 92037-1700  | 1        |
| CLAMP (Ref # 92037A)               | 92037-1780  | 1        |
| PIN,6X77 (Ref # 92043)             | 92043-1367  | 1        |
| TUBE,3X8X40 (Ref # 92059)          | 92059-1901  | 1        |
| BAND,BATTERY (Ref # 92072)         | 92072-1222  | 1        |
| DAMPER (Ref # 92075)               | 92075-099   | 1        |
| DAMPER (Ref # 92075A)              | 92075-1830  | 2        |
| DAMPER (Ref # 92075B)              | 92075-208   | 2        |
| DAMPER (Ref # 92075C)              | 92075-281   | 2        |
| COLLAR,L=9.6 (Ref # 92143)         | 92143-1016  | 2        |
| SPRING,SEAT HOOK (Ref # 92144)     | 92144-1174  | 1        |
| DAMPER,BATTERY (Ref # 92160)       | 92075-1997  | 1        |