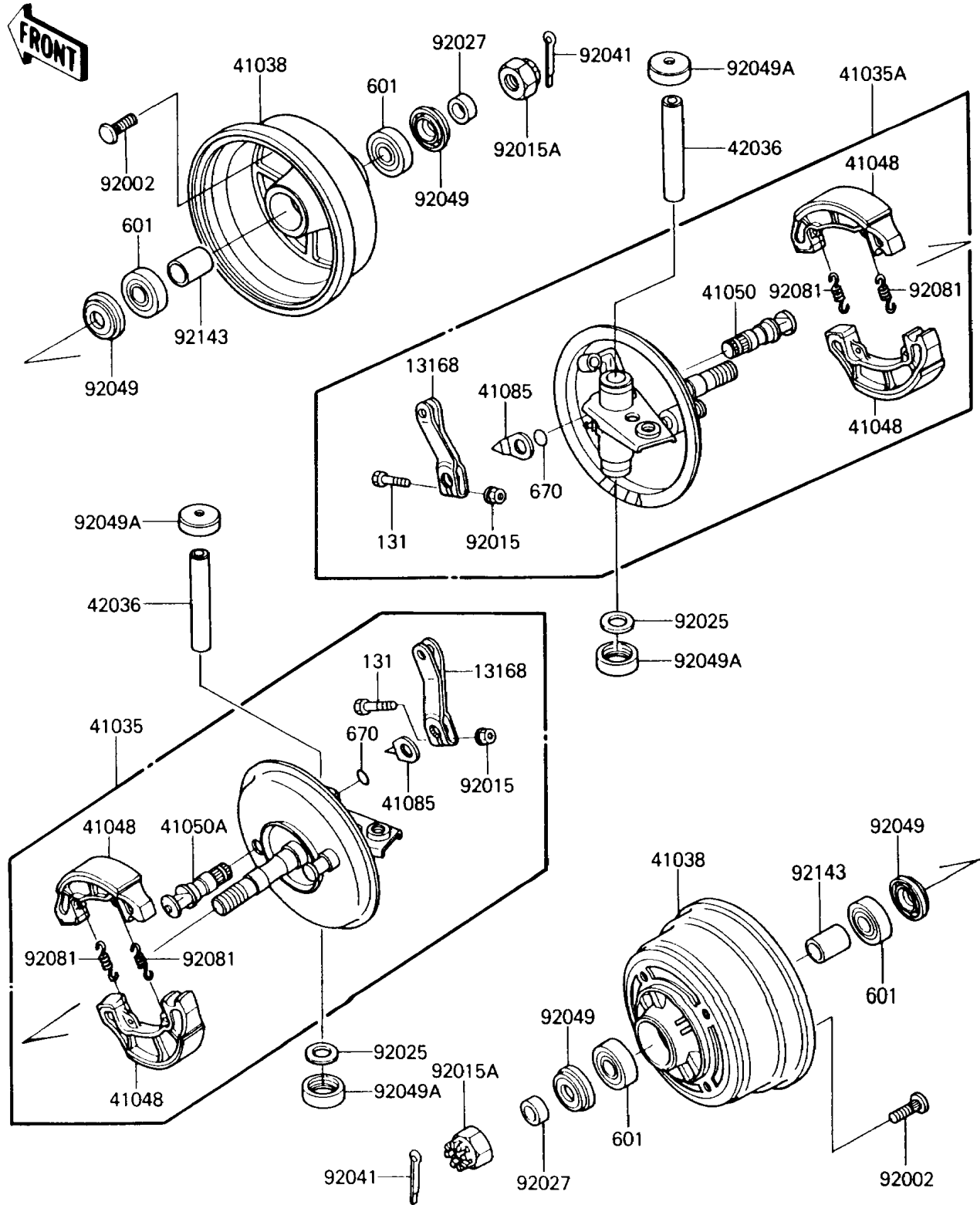


1986 Bayou 185 PARTS DIAGRAM

Front Hub

F2230-0138



1986 Bayou 185 PARTS LIST

Front Hub

ITEM NAME	PART NUMBER	QUANTITY
LEVER,BRAKE CAM (Ref # 13168)	13168-1317	2
PANEL-ASSY-BRAKE,LH (Ref # 41035)	41035-1204	1
PANEL-ASSY-BRAKE,RH (Ref # 41035A)	41035-1205	1
DRUM,FR BRAKE (Ref # 41038)	41038-1165	2
SHOE-BRAKE (Ref # 41048)	41048-1017	4
CAM-BRAKE,RH (Ref # 41050)	41050-1066	1
CAM-BRAKE,LH (Ref # 41050A)	41050-1068	1
INDICATOR (Ref # 41085)	41085-1056	2
SLEEVE, KNUCKLE,L=99.6 (Ref # 42036)	42036-1141	2
BOLT,10X30 (Ref # 92002)	92002-1388	8
NUT,FLANGED,6MM,BLACK (Ref # 92015)	92015-1237	2
NUT,16MM (Ref # 92015A)	92015-1455	2
SHIM,18X28.5X0.3 (Ref # 92025)	92025-1678	2
COLLAR,16.0X22X9.5 (Ref # 92027)	92027-1815	2
COTTER,4.0X35 (Ref # 92041)	92041-1053	2
SEAL-OIL (Ref # 92049)	92049-1197	4
SEAL-OIL, KNUCKLE (Ref # 92049A)	92049-1198	4
SPRING,BRAKE SHOE (Ref # 92081)	92081-1985	4
COLLAR,17.2X22.2X31.5 (Ref # 92143)	92027-1988	2
BOLT-FLANGED (Ref # 131)	131H0635	2
BEARING-BALL,#6203UU (Ref # 601)	601A6203UU	4
O RING,15MM (Ref # 670)	670B2015	2