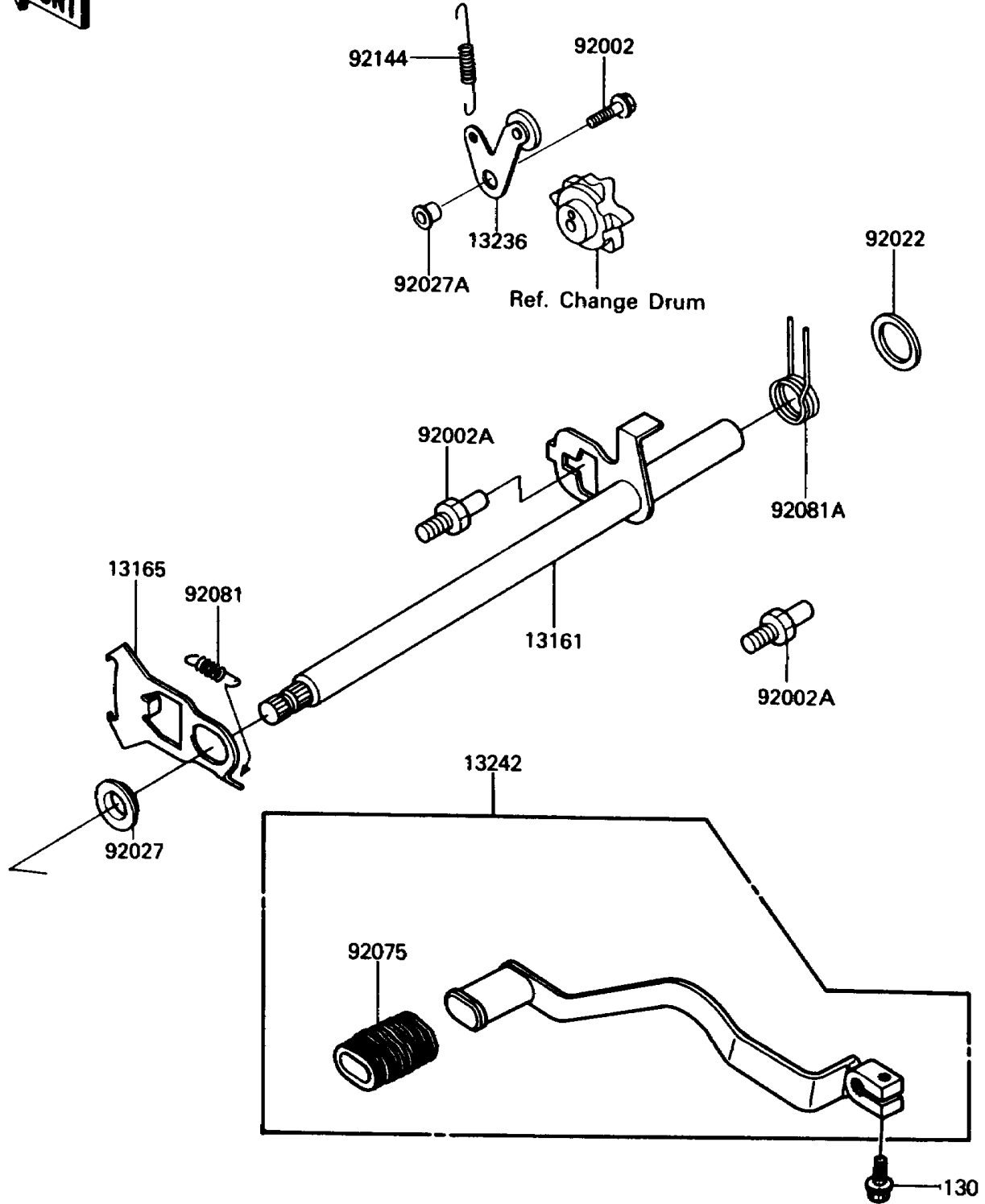


1986 Bayou 185 PARTS DIAGRAM

Gear Change Mechanism

E1370-0159



1986 Bayou 185 PARTS LIST

Gear Change Mechanism

ITEM NAME	PART NUMBER	QUANTITY
LEVER-COMP-CHANGE SHAFT (Ref # 13161)	13161-1110	1
PAWL,CHANGE LEVER (Ref # 13165)	13165-1112	1
LEVER-COMP,NEUTRAL POSITION (Ref # 13236)	13236-1145	1
LEVER-ASSY-CHANGE,PEDAL (Ref # 13242)	13242-1199	1
BOLT,6X20 (Ref # 92002)	92002-1237	1
BOLT,RETURN SPRING (Ref # 92002A)	92002-1408	2
WASHER,25.5X36X1 (Ref # 92022)	92022-057	1
COLLAR,CHANGE SHAFT,L=5.5 (Ref # 92027)	92027-1512	1
COLLAR,L=5.2 (Ref # 92027A)	92027-1716	1
DAMPER,CHANGE PEDAL (Ref # 92075)	92075-1585	1
SPRING,CHANGE LEVER (Ref # 92081)	92081-1753	1
SPRING,CHANGE SHAFT RETURN (Ref # 92081A)	92081-1987	1
SPRING (Ref # 92144)	92144-1003	1
BOLT-FLANGED,6X20,BLACK (Ref # 130)	130S0620	1