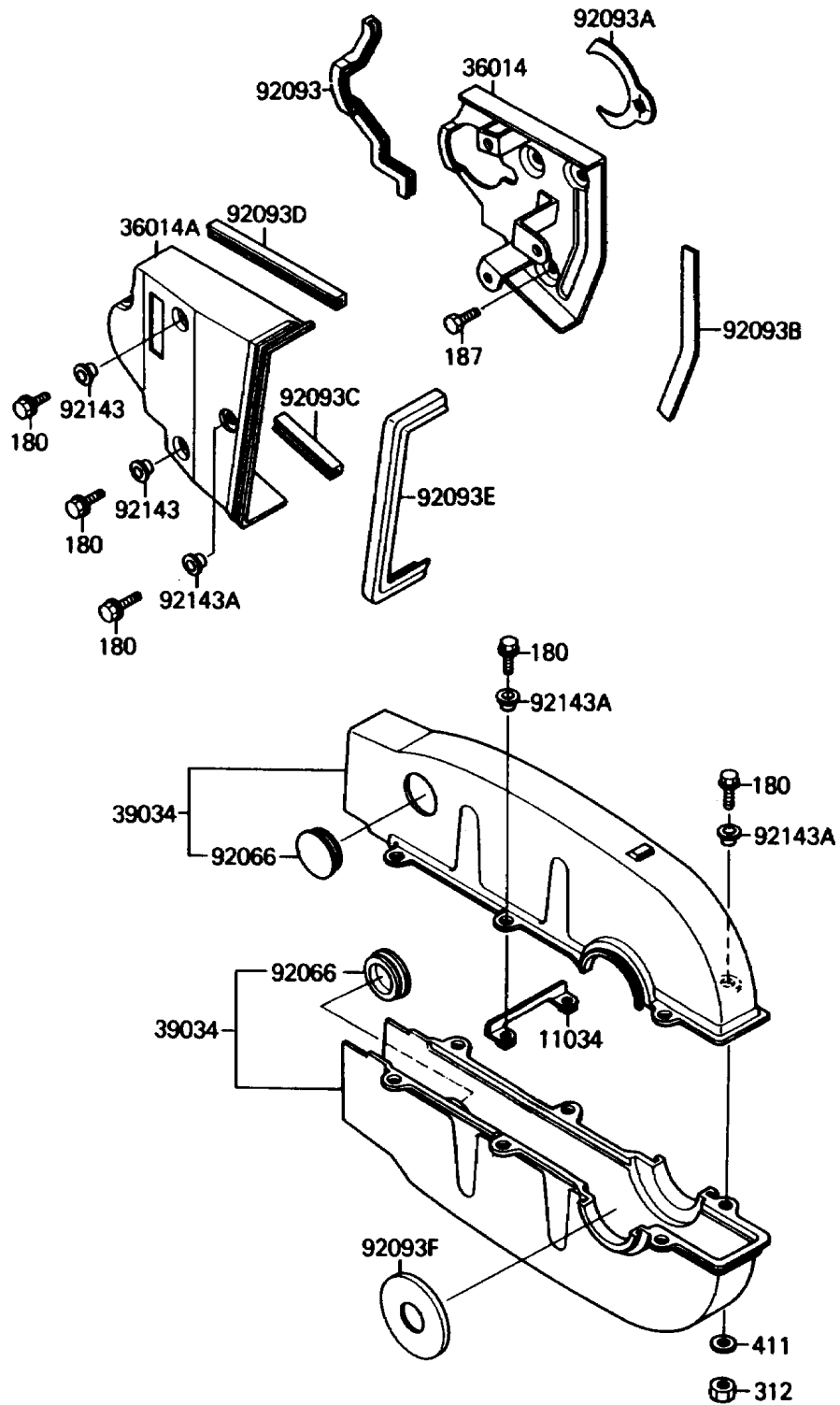


## 1987 Mojave 110E PARTS DIAGRAM

Chain Cover

F2650-0005



## 1987 Mojave 110E PARTS LIST

### Chain Cover

ITEM NAME	PART NUMBER	QUANTITY
BRACKET,CHAIN CASE (Ref # 11034)	11034-4184	1
CASE-CHAIN,FR,INSIDE (Ref # 36014)	36014-1140	1
CASE-CHAIN,FR,OUTSIDE (Ref # 36014A)	36014-1141	1
CASE-ASSY-CHAIN,RR (Ref # 39034)	39034-4002	1
PLUG,CHAIN CASE (Ref # 92066)	92066-4004	1
SEAL,CHAIN CASE,FR,INSIDE (Ref # 92093)	92093-1223	1
SEAL,CHAIN CASE,FR,INSIDE (Ref # 92093A)	92093-1224	1
SEAL,CHAIN CASE,FR,INSIDE (Ref # 92093B)	92093-1225	1
SEAL,CHAIN CASE,FR,OUTSIDE (Ref # 92093C)	92093-1226	1
SEAL,CHAIN CASE,FR,OUTSIDE (Ref # 92093D)	92093-1227	1
SEAL,CHAIN CASE,FR,OUTSIDE (Ref # 92093E)	92093-1228	1
SEAL,CHAIN CASE (Ref # 92093F)	92093-4006	1
COLLAR,L=5 (Ref # 92143)	92143-1087	1
COLLAR,L=6.6 (Ref # 92143A)	92143-1088	1
BOLT-UPSET-WS (Ref # 180)	180C0618	1
BOLT-UPSET-WSP (Ref # 187)	187B0612	1
NUT-HEX,6MM (Ref # 312)	312B0600	1
WASHER-PLAIN,6MM (Ref # 411)	411B0600	1