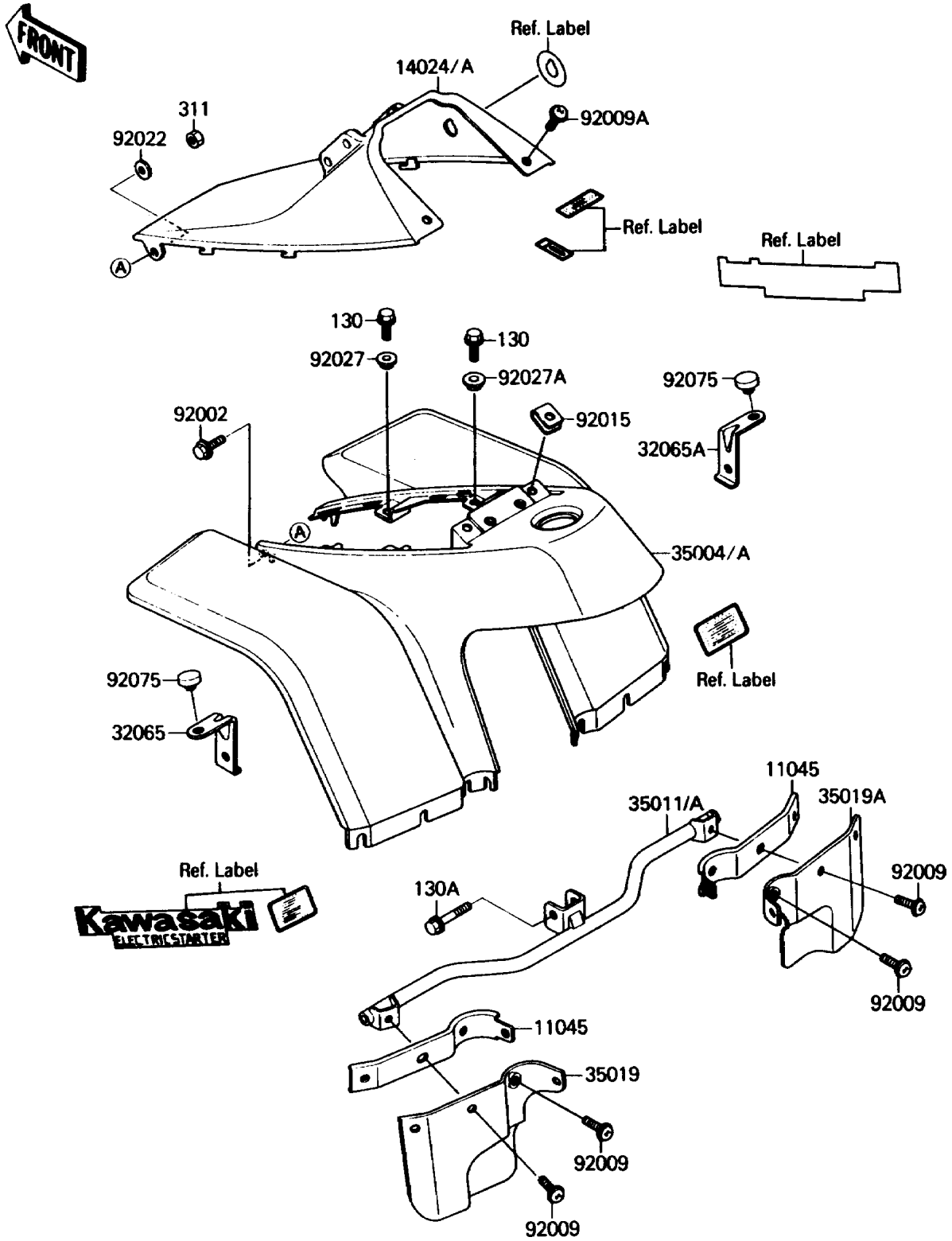


1987 Mojave 110E PARTS DIAGRAM

Front Fender(s)

F2171-0005



1987 Mojave 110E PARTS LIST

Front Fender(s)

| ITEM NAME | PART NUMBER | QUANTITY |
|--|---------------|----------|
| BRACKET,FLAP (Ref # 11045) | 11045-1178 | 1 |
| COVER,FRONT FENDER,P.WHITE (Ref # 14024) | 14024-1307-6F | 1 |
| COVER,FRONT FENDER,F.RED (Ref # 14024A) | 14024-1307-6L | 1 |
| BRACKET-FENDER,FR,LH (Ref # 32065) | 32065-1220 | 1 |
| BRACKET-FENDER,FR,RH (Ref # 32065A) | 32065-1221 | 1 |
| FENDER-FRONT,P.WHITE (Ref # 35004) | 35004-1195-6F | 1 |
| FENDER-FRONT,F.RED (Ref # 35004A) | 35004-1195-6L | 1 |
| STAY,FRONT FENDER (Ref # 35011) | 35011-1310 | 1 |
| FLAP,LH (Ref # 35019) | 35019-1181 | 1 |
| FLAP,RH (Ref # 35019A) | 35019-1182 | 1 |
| BOLT,6X16 (Ref # 92002) | 92002-1136 | 1 |
| SCREW,6X18,BLACK (Ref # 92009) | 92009-1181 | 1 |
| SCREW,6X14 (Ref # 92009A) | 92009-1288 | 1 |
| NUT,CLAMP,6MM (Ref # 92015) | 92015-1678 | 1 |
| WASHER,6.5X20X1.6 (Ref # 92022) | 92022-125 | 1 |
| COLLAR,L=4.6 (Ref # 92027) | 92027-1168 | 1 |
| COLLAR (Ref # 92027A) | 92027-1757 | 1 |
| DAMPER (Ref # 92075) | 92075-281 | 1 |
| BOLT-FLANGED,6X14 (Ref # 130) | 130D0614 | 1 |
| BOLT-FLANGED (Ref # 130A) | 130D0640 | 1 |
| NUT-HEX (Ref # 311) | 311H0600 | 1 |