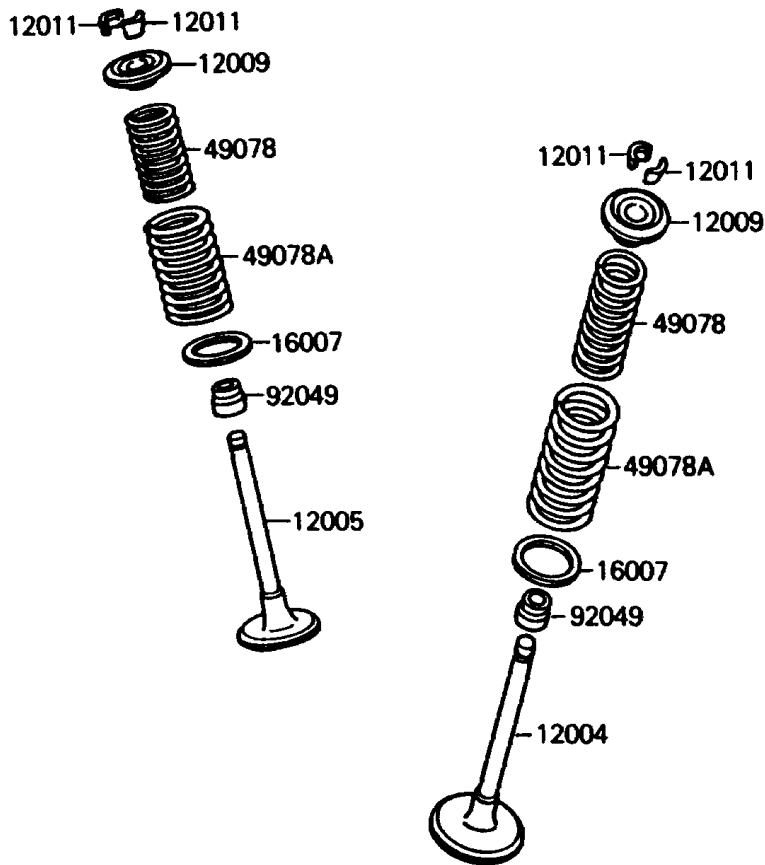
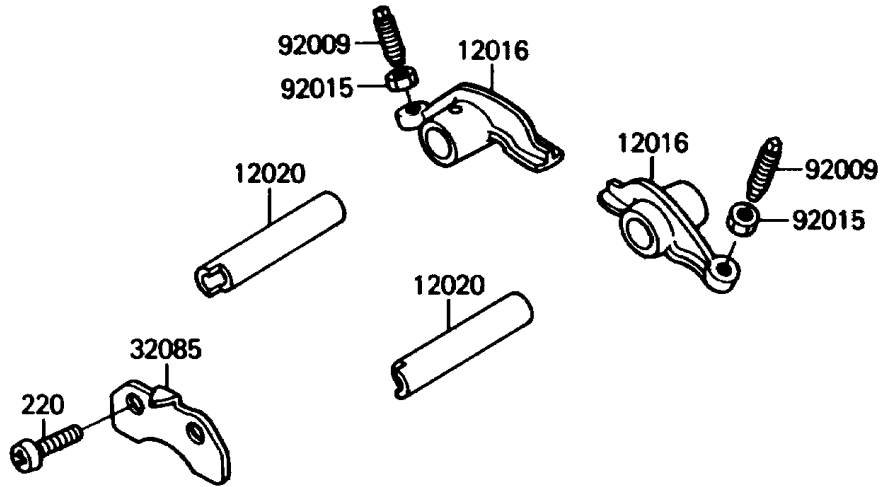


1987 Mojave 110E PARTS DIAGRAM

Valve(s)

E1210-0023



1987 Mojave 110E PARTS LIST

Valve(s)

| ITEM NAME | PART NUMBER | QUANTITY |
|--|-------------|----------|
| VALVE-INTAKE (Ref # 12004) | 12004-1060 | 1 |
| VALVE-EXHAUST (Ref # 12005) | 12005-1056 | 1 |
| RETAINER-VALVE SPRING (Ref # 12009) | 12009-1052 | 1 |
| COLLET,SPLIT KEEPER (Ref # 12011) | 12011-1002 | 1 |
| ARM-ROCKER (Ref # 12016) | 12016-1003 | 1 |
| SHAFT-ROCKER (Ref # 12020) | 12020-1009 | 1 |
| SEAT-SPRING (Ref # 16007) | 16007-1109 | 1 |
| STOPPER,ROCKER SHAFT (Ref # 32085) | 32085-1129 | 1 |
| SPRING-ENGINE VALVE,INNER (Ref # 49078) | 49078-1053 | 1 |
| SPRING-ENGINE VALVE,OUTER (Ref # 49078A) | 49078-1054 | 1 |
| SCREW,VALVE ADJUST (Ref # 92009) | 92009-1109 | 1 |
| NUT,VALVE ADJUST LOCK (Ref # 92015) | 92015-1137 | 1 |
| SEAL-OIL,RVC2-5.5X8.5X8.3 (Ref # 92049) | 92049-1062 | 1 |
| SCREW-PAN-CROS,6X14 (Ref # 220) | 220B0614 | 1 |