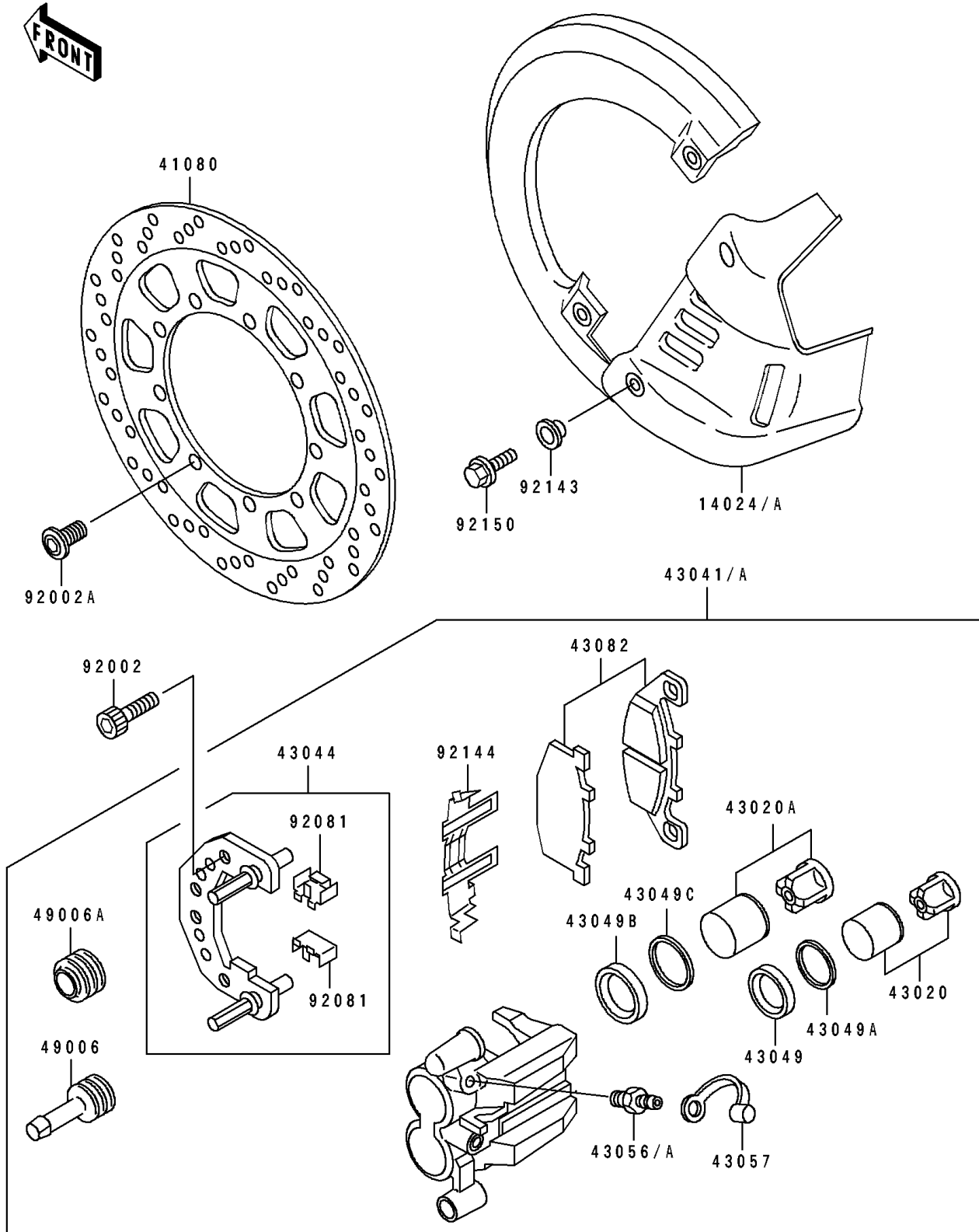


1990 Tengai PARTS DIAGRAM

Front Caliper

F2292



1990 Tengai PARTS LIST

Front Caliper

| ITEM NAME | PART NUMBER | QUANTITY |
|--|---------------|----------|
| COVER,FRONT DISK,B.BLUE (Ref # 14024A) | 14024-1739-6K | 1 |
| DISC,FR (Ref # 41080) | 41080-1237 | 1 |
| PISTON-COMP-BRAKE (Ref # 43020) | 43020-1068 | 1 |
| PISTON-COMP-BRAKE (Ref # 43020A) | 43020-1069 | 1 |
| CALIPER-ASSY,FR,LH,BLACK (Ref # 43041) | 43041-1300-DJ | 1 |
| HOLDER-COMP-CALIPER (Ref # 43044) | 43044-1067 | 1 |
| PACKING,PISTON SEAL (Ref # 43049) | 43049-1054 | 1 |
| PACKING,PISTON (Ref # 43049A) | 43049-1055 | 1 |
| PACKING,PISTON SEAL (Ref # 43049B) | 43049-1056 | 1 |
| PACKING,PISTON (Ref # 43049C) | 43049-1057 | 1 |
| BREATHER-BRAKE (Ref # 43056) | 43056-003 | 1 |
| CAP-BREATHER (Ref # 43057) | 43057-003 | 1 |
| PAD-ASSY-BRAKE (Ref # 43082) | 43082-1095 | 1 |
| BOOT,CALIPER (Ref # 49006) | 49006-1094 | 1 |
| BOOT,CALIPER (Ref # 49006A) | 49006-1095 | 1 |
| BOLT,FLANGED,10X41 (Ref # 92002) | 92002-1468 | 2 |
| BOLT,DISC PLATE,8MM (Ref # 92002A) | 92002-1878 | 9 |
| SPRING,PAD STOPPER (Ref # 92081) | 92081-1661 | 2 |
| COLLAR (Ref # 92143) | 92143-1331 | 4 |
| SPRING,PAD (Ref # 92144) | 92144-1070 | 1 |
| BOLT,FLANGED,6X12 (Ref # 92150) | 92150-1235 | 4 |