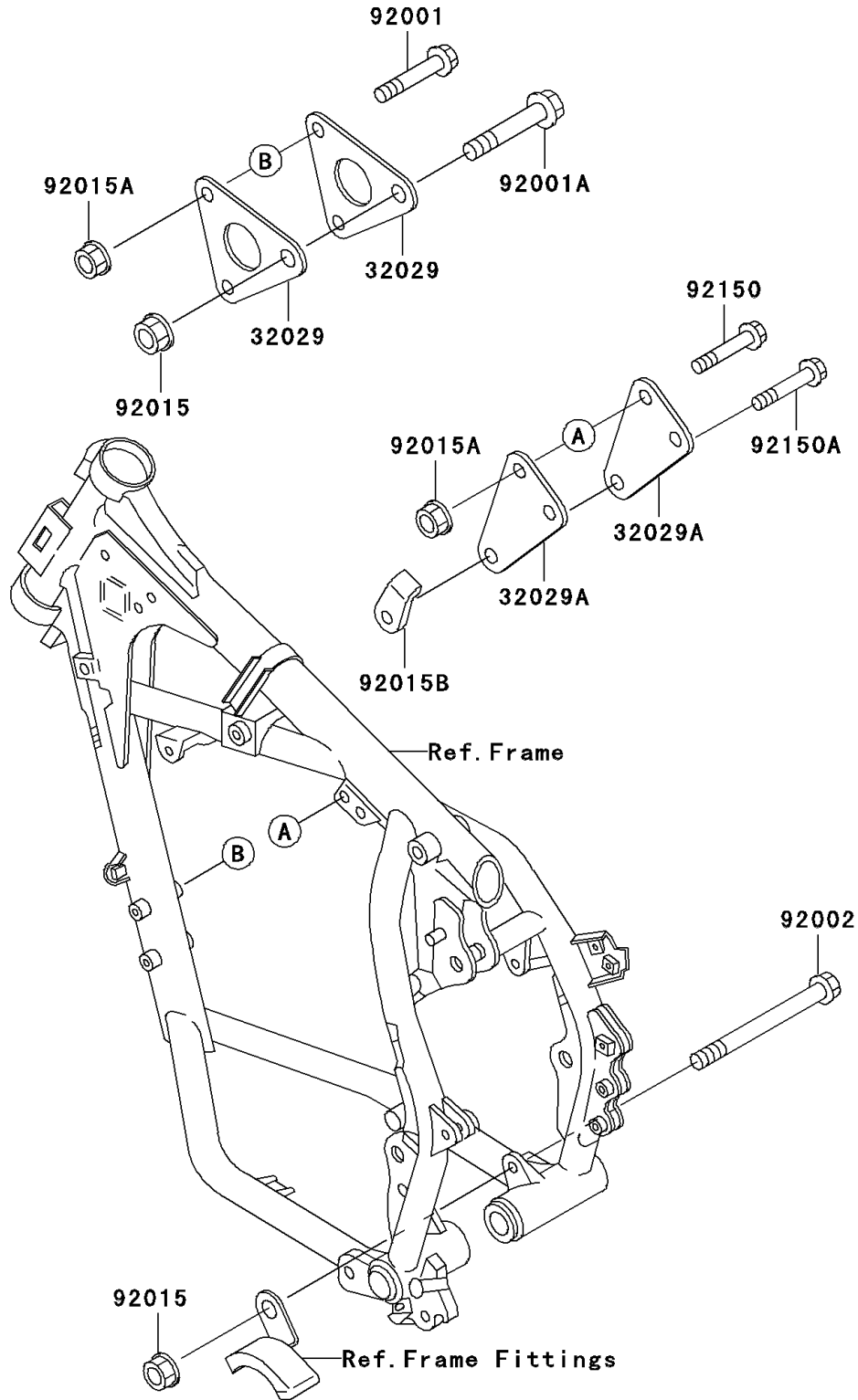


2006 KLR650 PARTS DIAGRAM

Engine Mount

F2122



2006 KLR650 PARTS LIST

Engine Mount

ITEM NAME	PART NUMBER	QUANTITY
BRACKET-ENGINE,FR (Ref # 32029)	32029-1805	2
BRACKET-ENGINE (Ref # 32029A)	32029-1956	2
BOLT,FLANGED,8X70 (Ref # 92001)	92001-1583	2
BOLT,10X75 (Ref # 92001A)	92001-4021	1
BOLT,10X145 (Ref # 92002)	92002-1348	1
NUT,FLANGED,10MM (Ref # 92015)	92015-1415	2
NUT,FLANGED,LOCK,8MM (Ref # 92015A)	92015-1668	4
NUT,PLATE,8MM (Ref # 92015B)	92015-1673	1
BOLT,FLANGED,8X42 (Ref # 92150)	92150-1415	2
BOLT,FLANGED,8X42 (Ref # 92150A)	92150-1925	1