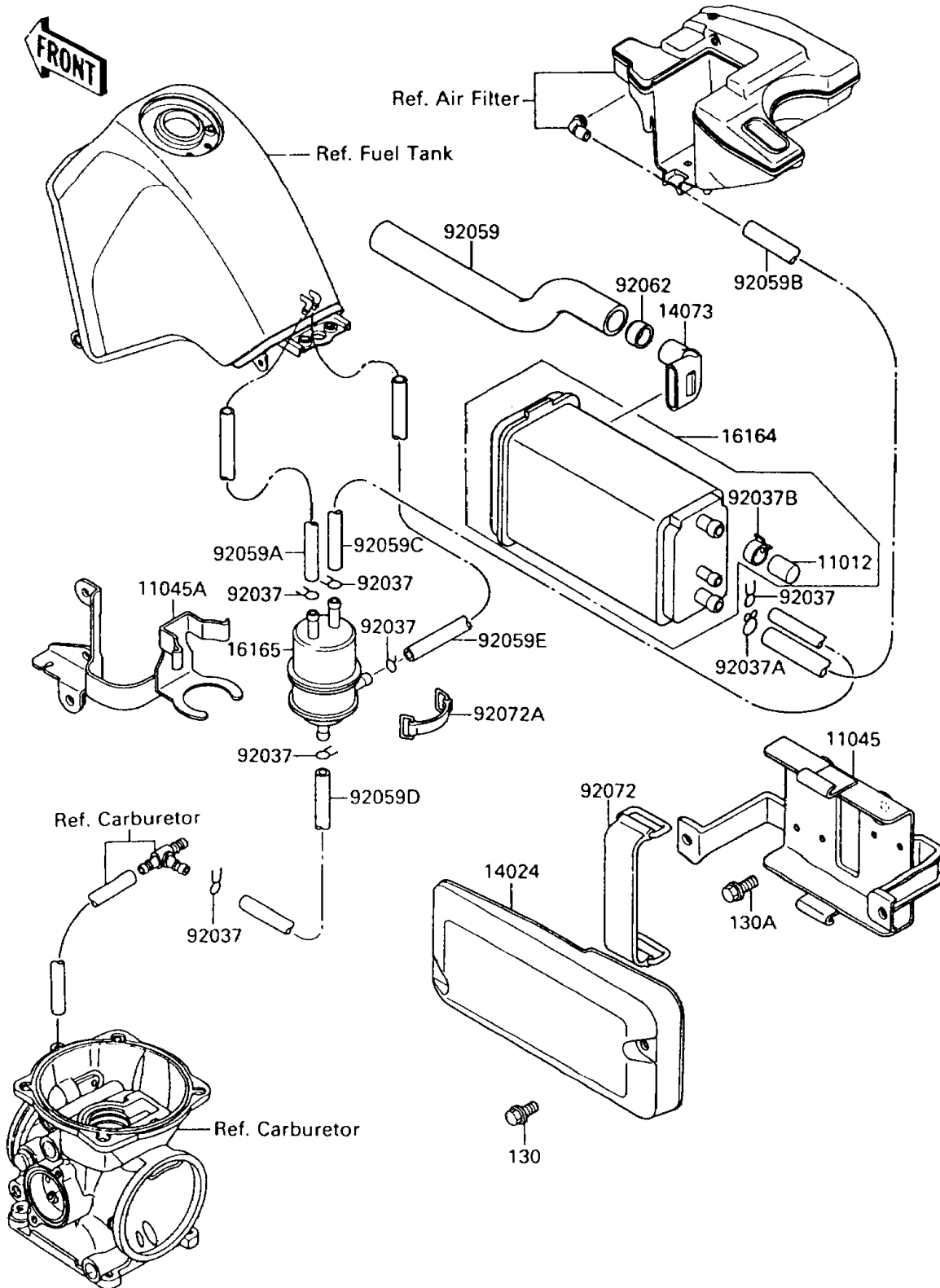


# 1993 KLR650 PARTS DIAGRAM

Fuel Evaporative System

E1650



# 1993 KLR650 PARTS LIST

## Fuel Evaporative System

| ITEM NAME                          | PART NUMBER | QUANTITY |
|------------------------------------|-------------|----------|
| CAP,CANISTER (Ref # 11012)         | 11012-1388  | 1        |
| BRACKET,CANISTER (Ref # 11045)     | 11045-1416  | 1        |
| BRACKET,SEPARATOR (Ref # 11045A)   | 11045-1417  | 1        |
| COVER,CANISTER (Ref # 14024)       | 14024-1401  | 1        |
| DUCT,CANISTER (Ref # 14073)        | 14073-1219  | 1        |
| CANISTER (Ref # 16164)             | 16164-1054  | 1        |
| SEPARATOR (Ref # 16165)            | 16165-1001  | 1        |
| CLAMP,TUBE (Ref # 92037)           | 92037-072   | 6        |
| CLAMP,HOSE (Ref # 92037A)          | 92037-1104  | 1        |
| CLAMP,CANISTER (Ref # 92037B)      | 92037-1512  | 1        |
| TUBE,14X20X200 (Ref # 92059)       | 92059-1800  | 1        |
| TUBE,5X9X890,BLUE (Ref # 92059A)   | 92059-1801  | 1        |
| TUBE,7X12X770,GREEN (Ref # 92059B) | 92059-1802  | 1        |
| TUBE,5X9X300,RED (Ref # 92059C)    | 92059-1803  | 1        |
| TUBE,4X9X310,WHITE (Ref # 92059D)  | 92059-1804  | 1        |
| TUBE,5X9X400,BLUE (Ref # 92059E)   | 92059-1805  | 1        |
| NOZZLE,CANISTER (Ref # 92062)      | 92062-1070  | 1        |
| BAND,L=90 (Ref # 92072)            | 92072-045   | 1        |
| BAND,L=50 (Ref # 92072A)           | 92072-066   | 1        |
| BOLT-FLANGED (Ref # 130)           | 130C0608    | 2        |
| BOLT-FLANGED (Ref # 130A)          | 130J0612    | 2        |