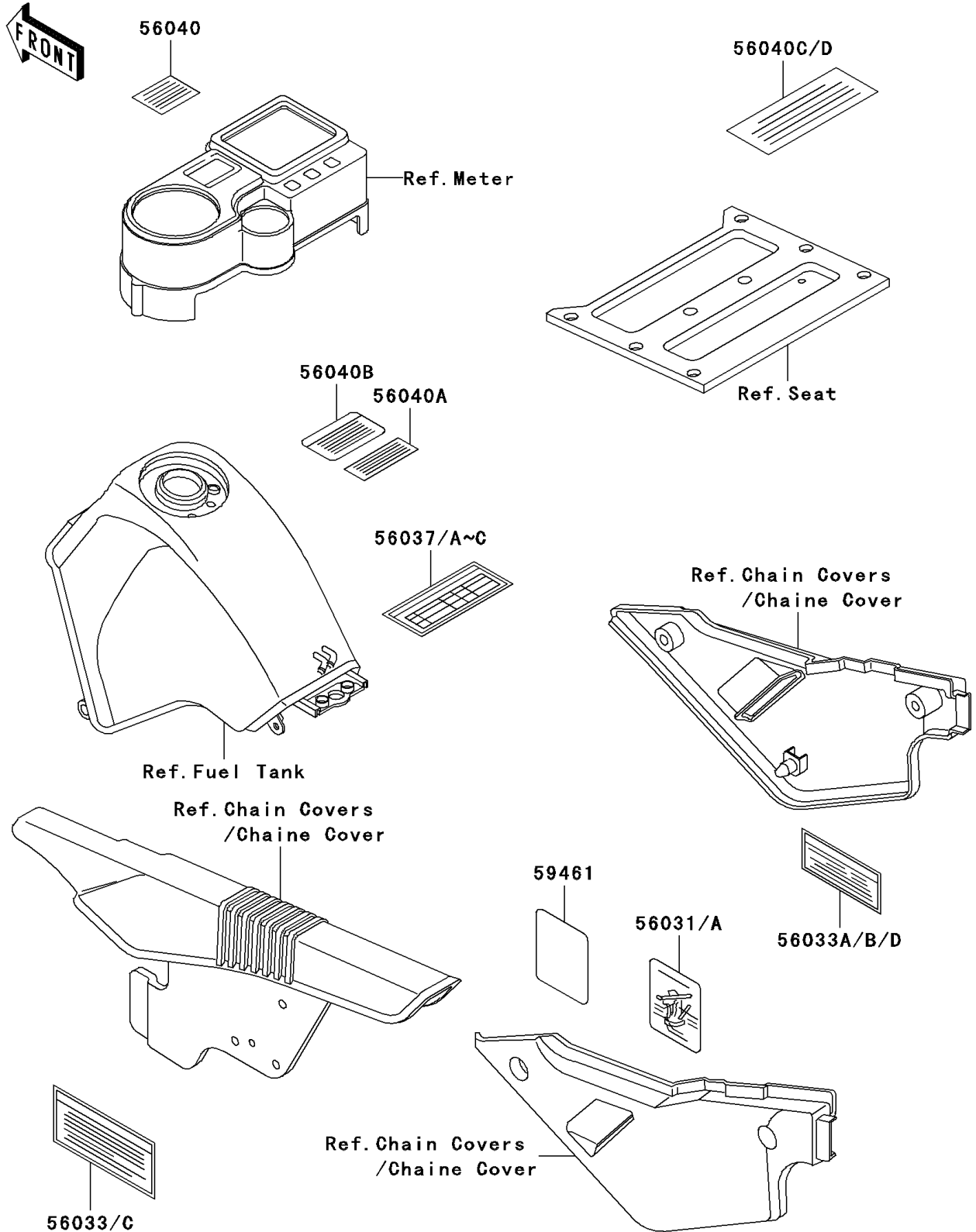


2003 KLR650 PARTS DIAGRAM

Labels

F2860



2003 KLR650 PARTS LIST

Labels

ITEM NAME	PART NUMBER	QUANTITY
LABEL-MANUAL,BATTERY VENT (Ref # 56031A)	56031-1920	1
LABEL-WARNING,CARRIER (Ref # 56040C)	56040-1212	1
LABEL-MANUAL,BATTERY VENT (Ref # 56031)	56031-1540	1
LABEL-MANUAL,CHAIN (Ref # 56033)	56033-1064	1
LABEL-MANUAL,OIL&OIL FILTER (Ref # 56033B)	56033-1279	1
LABEL-MANUAL,CHAIN (Ref # 56033C)	56033-1367	1
LABEL-MANUAL,OIL&OIL FILTER (Ref # 56033D)	56033-1368	1
LABEL-SPECIFICATION,TIRE&LOAD (Ref # 56037B)	56037-1981	1
LABEL-SPECIFICATION,TIRE&LOAD (Ref # 56037C)	56037-1982	1
LABEL-WARNING,BREAK IN CAUTION (Ref # 56040)	56040-1007	1
LABEL-WARNING,BREAK IN CAUTION (Ref # 56040A)	56040-1008	1
LABEL-WARNING,EVAPO (Ref # 56040B)	56040-1121	1
LABEL-WARNING,CARRIER (Ref # 56040D)	56040-1215	1
LABEL-CERTIFICATION,EVAPO ROUT (Ref # 59461)	59461-1776	1