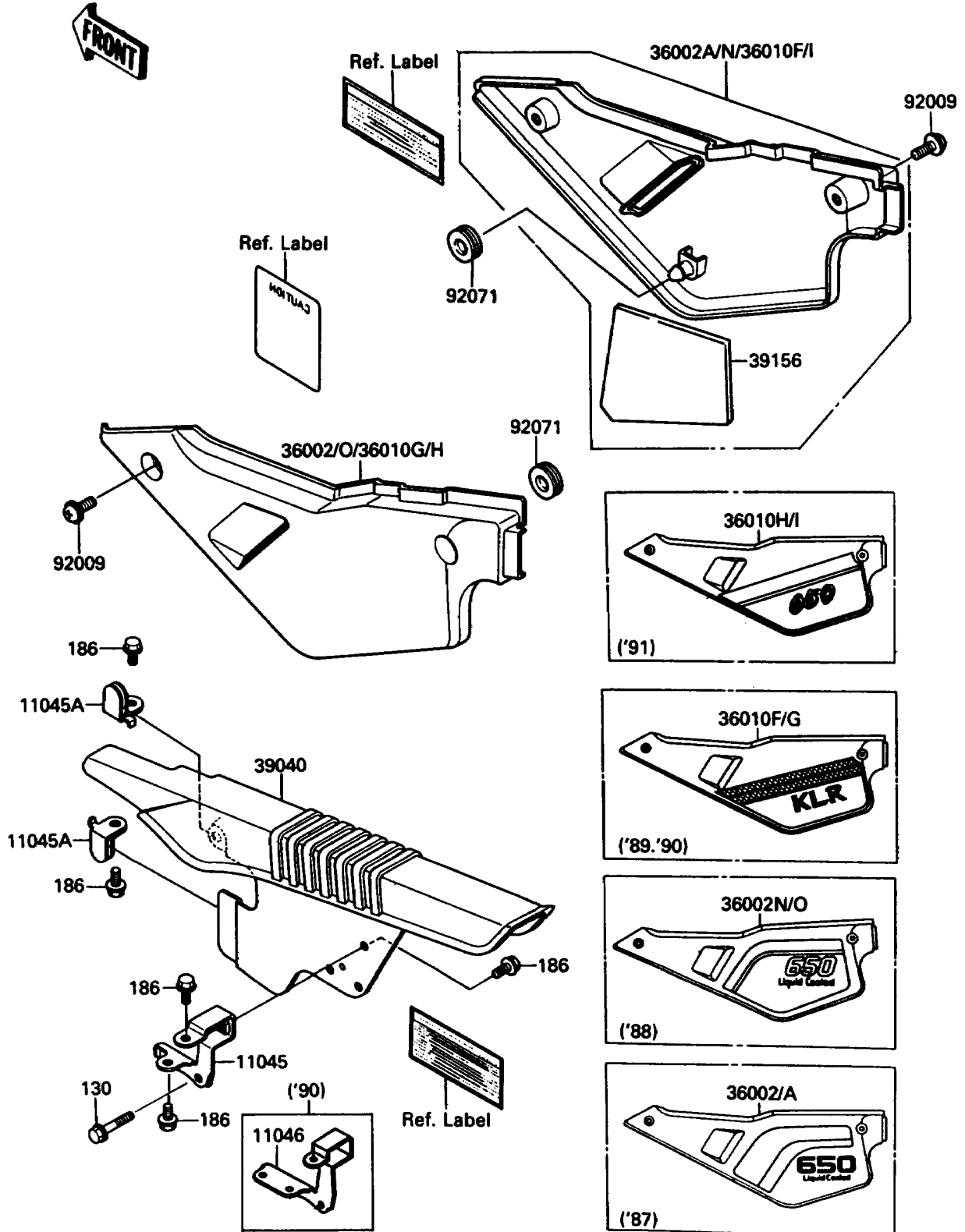


1988 KLR®650 PARTS DIAGRAM

Side Cover/Chain Case

F2610



1988 KLR®650 PARTS LIST

Side Cover/Chain Case

ITEM NAME	PART NUMBER	QUANTITY
BRACKET,CHAIN CASE,RR (Ref # 11045)	11045-1334	1
BRACKET,CHAIN CASE,FR (Ref # 11045A)	11045-1335	1
COVER-SIDE,RH,P.WHITE (Ref # 36002N)	36002-5469-6F	1
COVER-SIDE,LH,P.WHITE (Ref # 360020)	36002-5470-6F	1
COVER-ASSY-CHAIN CASE (Ref # 39040)	39040-1054	1
PAD,SIDE COVER (Ref # 39156)	39156-1073	1
SCREW,6X10 (Ref # 92009)	92009-1286	1
GROMMET (Ref # 92071)	92071-056	1
BOLT-FLANGED (Ref # 130)	130H0640	1
BOLT-UPSET-WP (Ref # 186)	186C0612	1