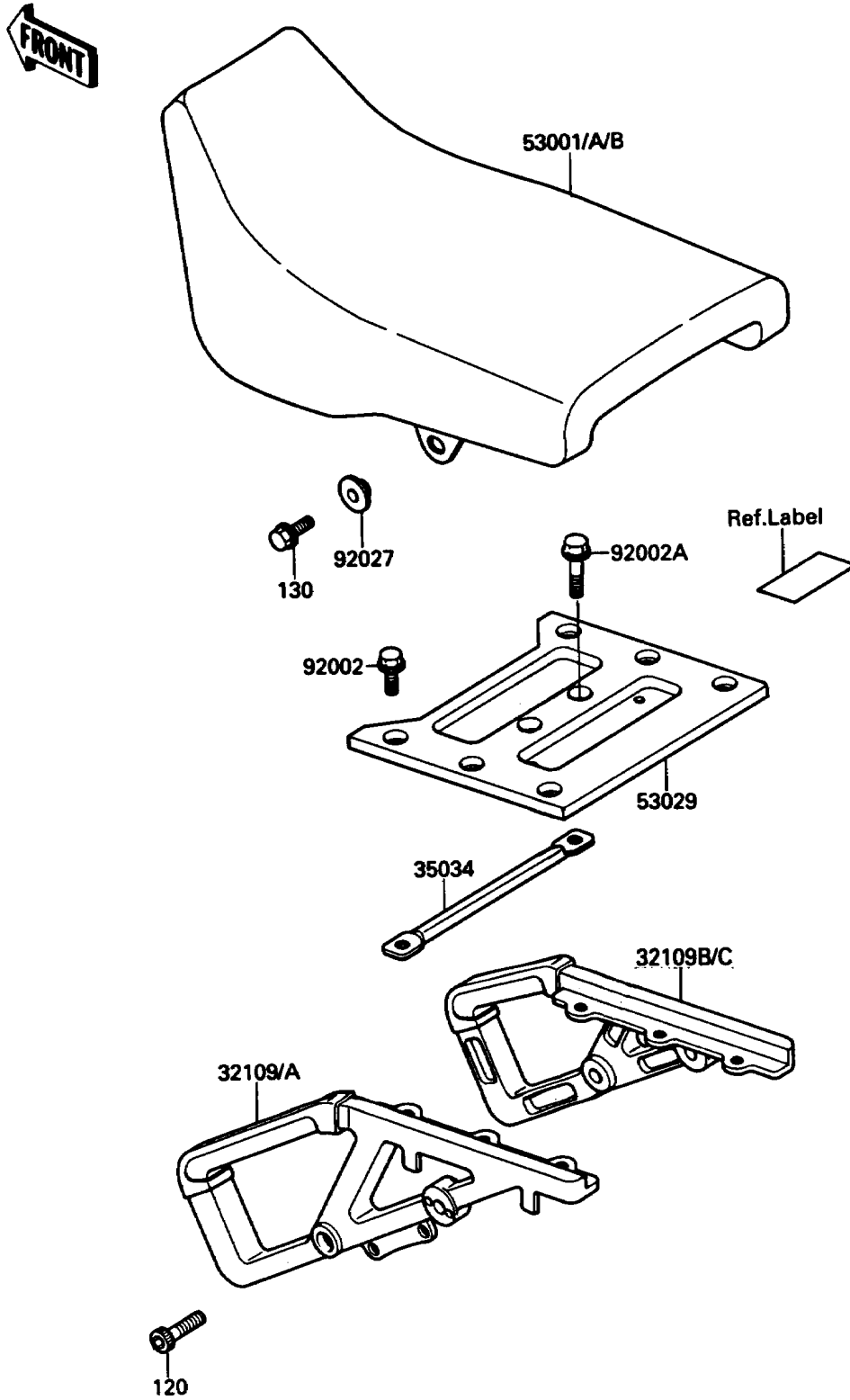


1987 KLR® 650 PARTS DIAGRAM

Seat

F2510



1987 KLR® 650 PARTS LIST

Seat

| ITEM NAME | PART NUMBER | QUANTITY |
|---|---------------|----------|
| GRIP-FRAME,LH,SILVER NO.15 (Ref # 32109A) | 32109-1152-X3 | 1 |
| GRIP-FRAME,RH,SILVER NO.15 (Ref # 32109C) | 32109-1153-X3 | 1 |
| REINFORCE (Ref # 35034) | 35034-1207 | 1 |
| SEAT-ASSY,DUAL,BLUE (Ref # 53001) | 53001-1492-NE | 1 |
| CARRIER (Ref # 53029) | 53029-1081 | 1 |
| BOLT,6X16 (Ref # 92002) | 92002-1933 | 6 |
| BOLT,FLANGED,6X33 (Ref # 92002A) | 92002-1989 | 2 |
| COLLAR (Ref # 92027) | 92027-1794 | 2 |
| BOLT-SOCKET,8X35 (Ref # 120) | 120P0835 | 2 |
| BOLT-FLANGED,6X14 (Ref # 130) | 130D0614 | 2 |