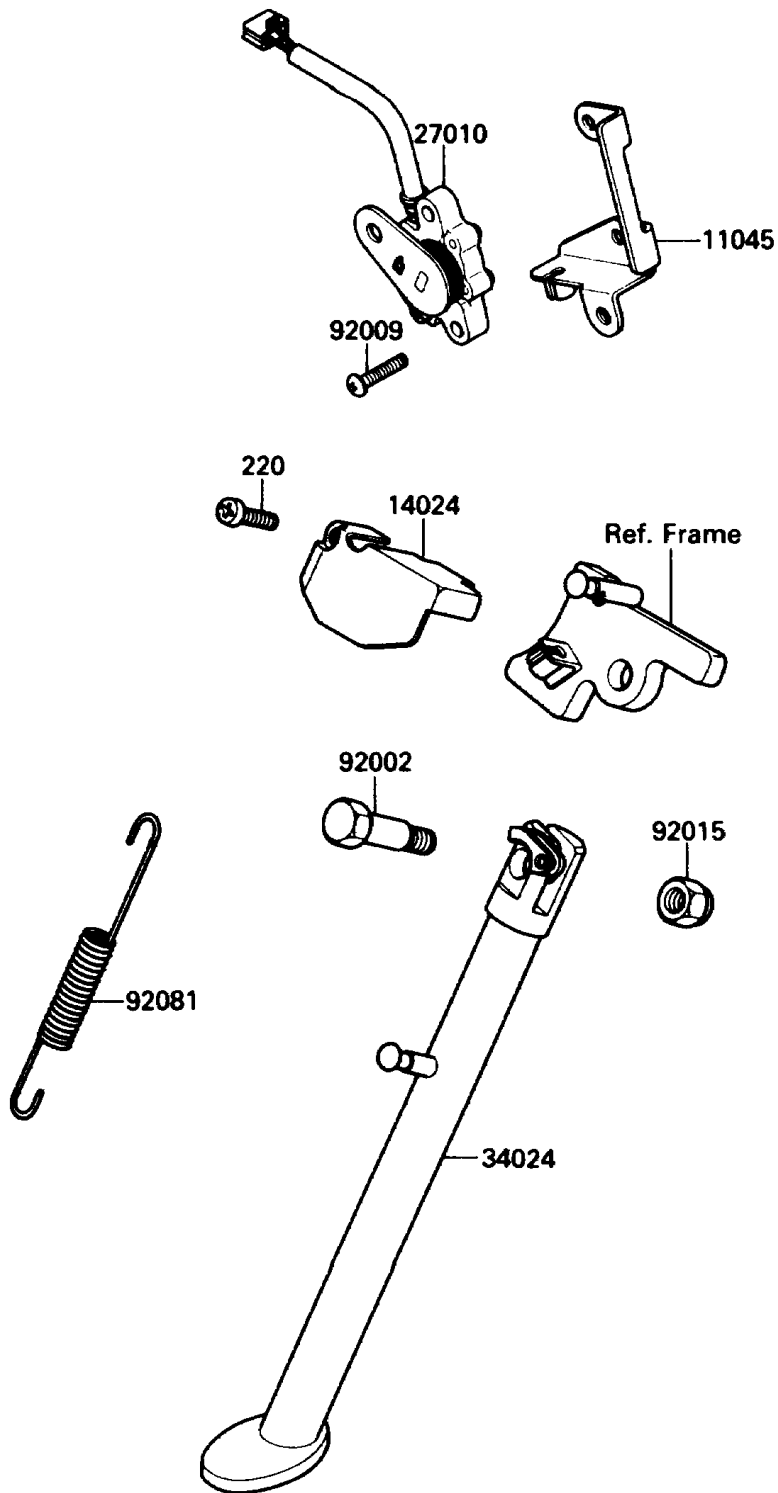


1988 KLR®650 PARTS DIAGRAM

Stand

F2190-0204



1988 KLR®650 PARTS LIST

Stand

ITEM NAME	PART NUMBER	QUANTITY
BRACKET,SIDE STAND SWITCH (Ref # 11045)	11045-1364	1
COVER,SIDE STAND (Ref # 14024)	14024-1474	1
SWITCH,SIDE STAND (Ref # 27010)	27010-1257	1
STAND-SIDE (Ref # 34024)	34024-1221	1
BOLT,SIDE STAND (Ref # 92002)	92002-1935	1
SCREW,5X25 (Ref # 92009)	92009-1302	1
NUT,LOCK,10MM (Ref # 92015)	92019-021	1
SPRING,SIDE STAND (Ref # 92081)	92081-1376	1
SCREW-PAN-CROS (Ref # 220)	220C0516	1