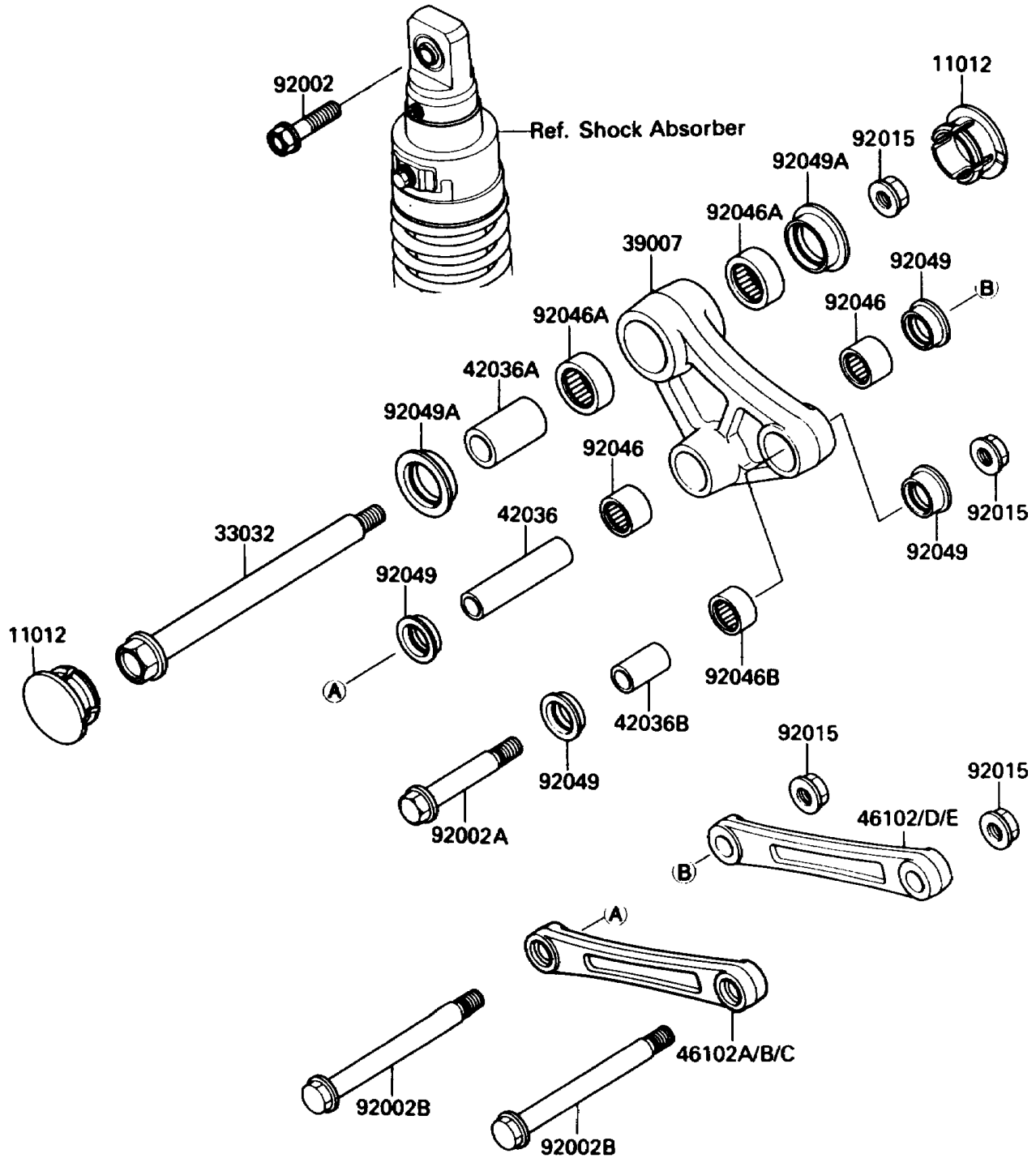


# 1987 KLR® 650 PARTS DIAGRAM

Suspension

F2150-0079



# 1987 KLR® 650 PARTS LIST

## Suspension

| ITEM NAME                              | PART NUMBER | QUANTITY |
|--|-------------|----------|
| CAP,32X14 (Ref # 11012)                | 11012-1559  | 2        |
| SHAFT-SWING ARM (Ref # 33032)          | 33032-1129  | 1        |
| ARM-SUSP,UNI TRAK (Ref # 39007)        | 39007-1119  | 1        |
| SLEEVE,15X20X82 (Ref # 42036)          | 42036-1205  | 1        |
| SLEEVE,20X28X60 (Ref # 42036A)         | 42036-1207  | 1        |
| SLEEVE,15X20X30 (Ref # 42036B)         | 42036-1208  | 1        |
| ROD,SUSPENSION,RH (Ref # 46102)        | 46102-1197  | 1        |
| ROD,SUSPENSION,LH (Ref # 46102A)       | 46102-1217  | 1        |
| ROD,SUSPENSION,LH (Ref # 46102C)       | 46102-1227  | 1        |
| ROD,SUSPENSION,RH (Ref # 46102E)       | 46102-1228  | 1        |
| BOLT,12X45 (Ref # 92002)               | 92001-1939  | 1        |
| BOLT,FLANGED,14X64 (Ref # 92002A)      | 92002-1869  | 1        |
| BOLT,FLANGED,14X120 (Ref # 92002B)     | 92002-1870  | 2        |
| NUT,14MM (Ref # 92015)                 | 92015-1459  | 4        |
| BEARING-NEEDLE,BM202726 (Ref # 92046)  | 92046-1110  | 2        |
| BEARING-NEEDLE,BM283417 (Ref # 92046A) | 92046-1111  | 2        |
| BEARING-NEEDLE,BM202715 (Ref # 92046B) | 92046-1112  | 1        |
| SEAL-OIL,ARM,CNT (Ref # 92049)         | 92049-1109  | 4        |
| SEAL-OIL (Ref # 92049A)                | 92049-1181  | 2        |