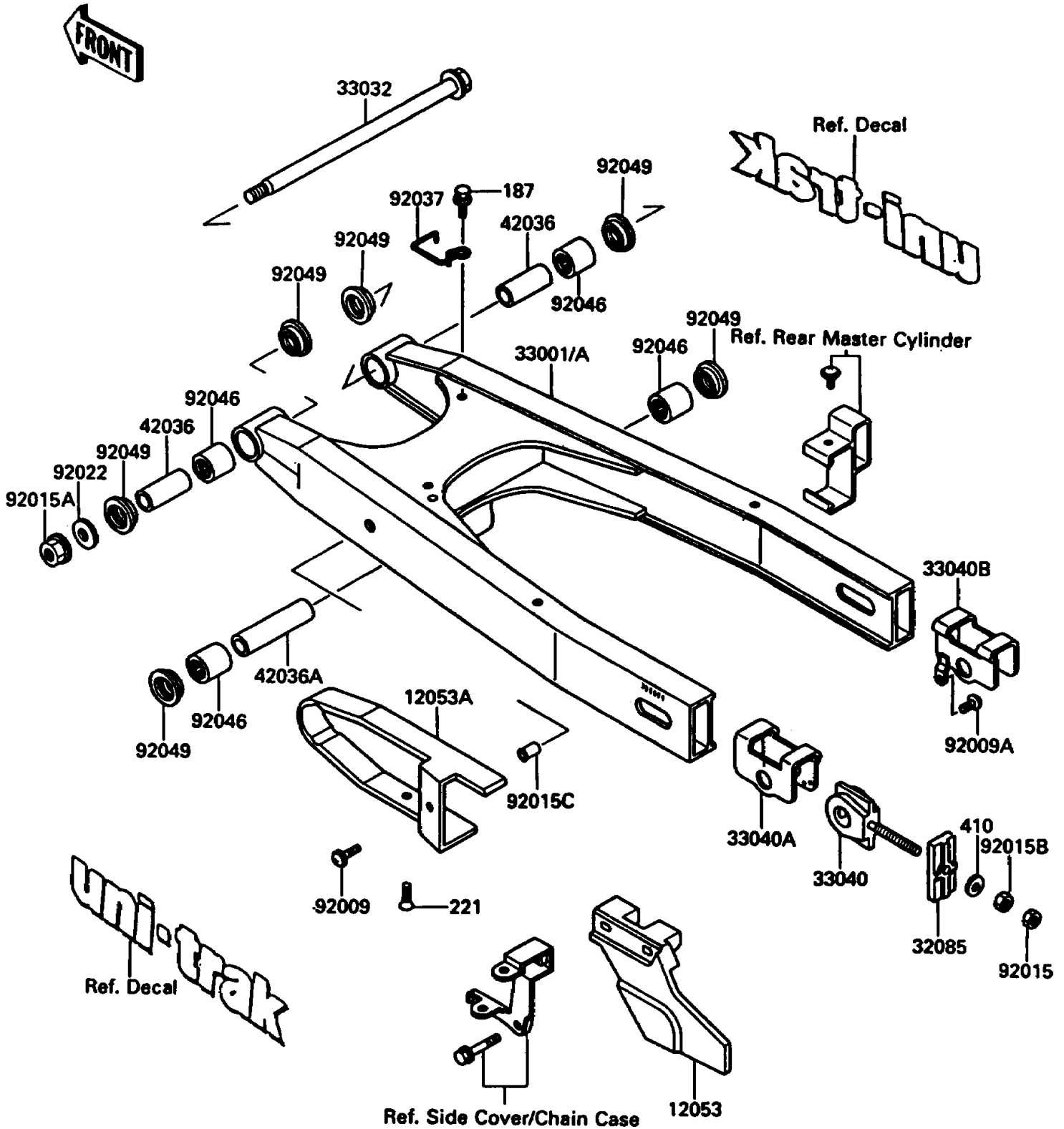


1987 KLR® 650 PARTS DIAGRAM

Swing Arm

F2141



1987 KLR® 650 PARTS LIST

Swing Arm

| ITEM NAME | PART NUMBER | QUANTITY |
|--|---------------|----------|
| GUIDE-CHAIN,RR (Ref # 12053) | 12053-1104 | 1 |
| GUIDE-CHAIN,FR (Ref # 12053A) | 12053-1210 | 1 |
| STOPPER,CHAIN ADJUSTER (Ref # 32085) | 32085-1256 | 2 |
| ARM-COMP-SWING,SILVER NO.15 (Ref # 33001A) | 33001-1278-X3 | 1 |
| SHAFT-SWING ARM (Ref # 33032) | 33032-1128 | 1 |
| ADJUSTER-CHAIN,INNER (Ref # 33040) | 33040-1075 | 2 |
| ADJUSTER-CHAIN,OUTER (Ref # 33040A) | 33040-1076 | 1 |
| ADJUSTER-CHAIN,OUTER (Ref # 33040B) | 33040-1078 | 1 |
| SLEEVE,15X20X47.5 (Ref # 42036) | 42036-1204 | 2 |
| SLEEVE,15X20X82 (Ref # 42036A) | 42036-1205 | 1 |
| SCREW,6X14 (Ref # 92009) | 92009-1288 | 1 |
| SCREW,5X10 (Ref # 92009A) | 92009-1335 | 1 |
| NUT,8MM (Ref # 92015) | 92015-1364 | 2 |
| NUT,14MM (Ref # 92015A) | 92015-1459 | 1 |
| NUT,8MM (Ref # 92015B) | 92015-1658 | 2 |
| NUT,CRIMP 6MM (Ref # 92015C) | 92015-1796 | 1 |
| WASHER,16X32X3.2 (Ref # 92022) | 92022-1701 | 1 |
| CLAMP,HOSE (Ref # 92037) | 92037-1902 | 1 |
| BEARING-NEEDLE,BM202726 (Ref # 92046) | 92046-1110 | 4 |
| SEAL-OIL,ARM,CNT (Ref # 92049) | 92049-1109 | 6 |
| BOLT-UPSET-WSP (Ref # 187) | 187D0610 | 1 |
| SCREW-CSK-CROS,6X10 (Ref # 221) | 221B0610 | 1 |
| WASHER-PLAIN-SMALL,8MM (Ref # 410) | 410B0800 | 2 |