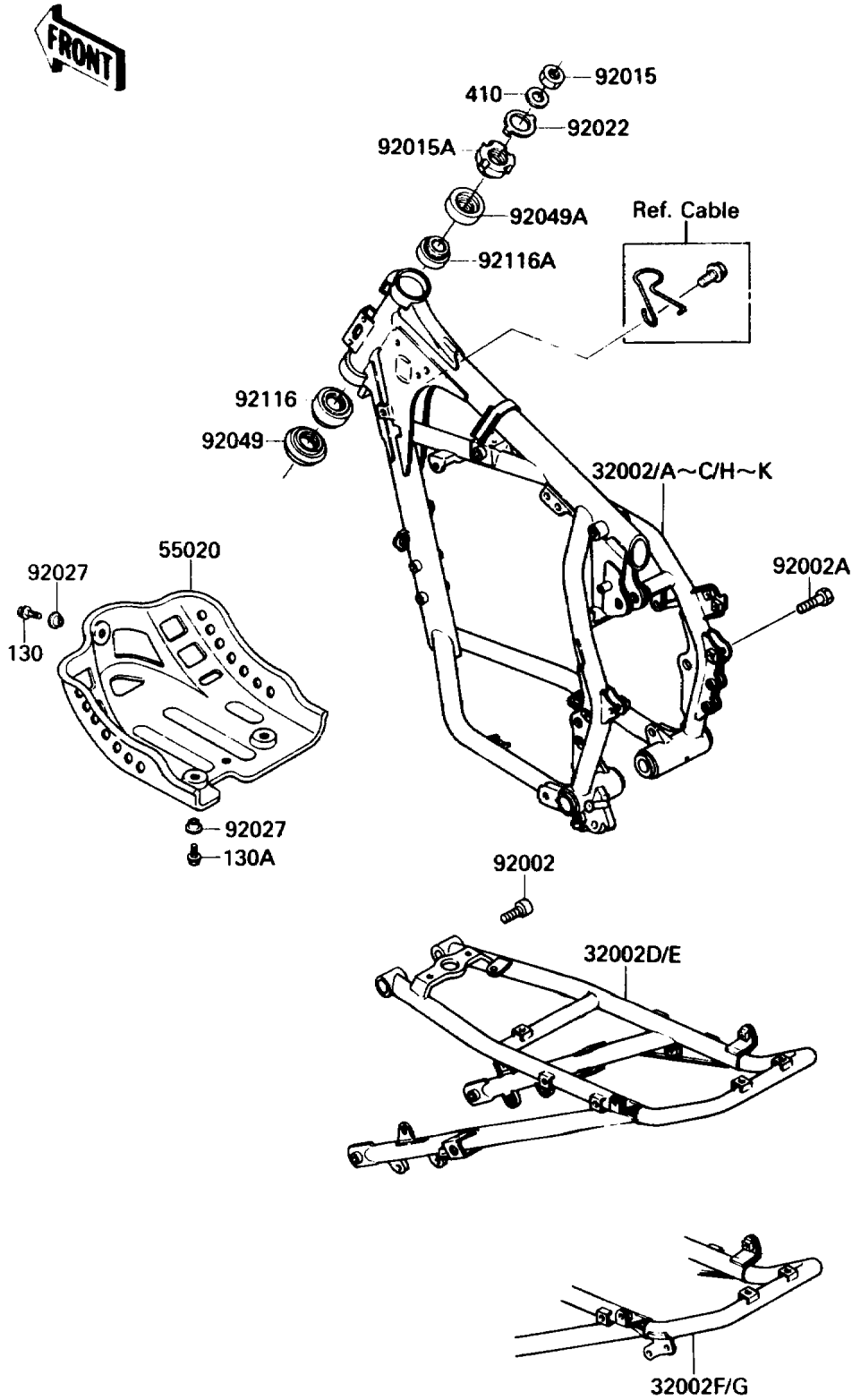


1988 KLR®650 PARTS DIAGRAM

Frame

F2120



1988 KLR®650 PARTS LIST

Frame

ITEM NAME	PART NUMBER	QUANTITY
FRAME-COMP,RR,SILVER NO.15 (Ref # 32002E)	32002-1918-X3	1
FRAME-COMP,RR,SILVER NO.15 (Ref # 32002G)	32002-1923-X3	1
FRAME-COMP,FR,SILVER NO.15 (Ref # 32002I)	32002-1955-X3	1
GUARD,ENGINE,BLACK (Ref # 55020)	55020-1249-6Z	1
BOLT,SOCKET,8X25 (Ref # 92002)	92002-1442	1
BOLT,FLANGED,8X28 (Ref # 92002A)	92002-1971	1
NUT,18MM (Ref # 92015)	92015-1404	1
NUT,25MM,T=12 (Ref # 92015A)	92015-1546	1
WASHER,CLAW,18.5X30X2.3 (Ref # 92022)	92022-1555	1
COLLAR (Ref # 92027)	92027-1794	1
SEAL-OIL,XMHE36X52X4J (Ref # 92049)	92049-1162	1
SEAL-OIL,STEERING STEM (Ref # 92049A)	92049-1214	1
BEARING-ROLLER,HR320/28XJ (Ref # 92116)	92116-1009	1
BEARING-ROLLER,HICAP 32005JR (Ref # 92116A)	92116-1052	1
BOLT-FLANGED,6X12 (Ref # 130)	130G0612	1
BOLT-FLANGED,6X14 (Ref # 130A)	130G0614	1
W-PLAIN-S (Ref # 410)	410F1800	1