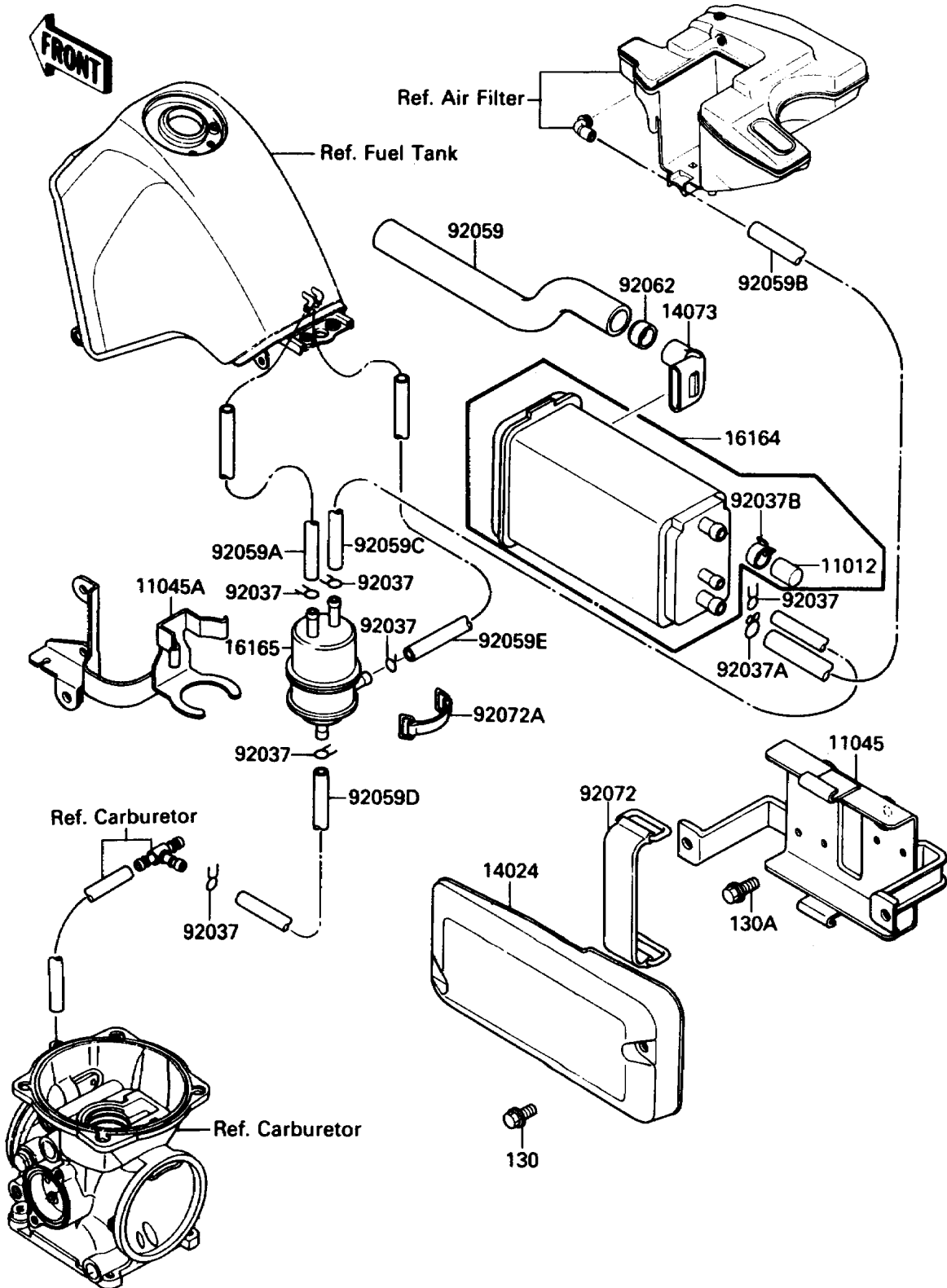


1989 KLR650 PARTS DIAGRAM

Canister

E1650-0024



1989 KLR650 PARTS LIST

Canister

| ITEM NAME | PART NUMBER | QUANTITY |
|------------------------------------|-------------|----------|
| CAP,CANISTER (Ref # 11012) | 11012-1388 | 1 |
| BRACKET,CANISTER (Ref # 11045) | 11045-1416 | 1 |
| BRACKET,SEPARATOR (Ref # 11045A) | 11045-1417 | 1 |
| COVER,CANISTER (Ref # 14024) | 14024-1401 | 1 |
| DUCT,CANISTER (Ref # 14073) | 14073-1219 | 1 |
| CANISTER (Ref # 16164) | 16164-1054 | 1 |
| SEPARATOR (Ref # 16165) | 16165-1001 | 1 |
| CLAMP,TUBE (Ref # 92037) | 92037-072 | 6 |
| CLAMP,HOSE (Ref # 92037A) | 92037-1104 | 1 |
| CLAMP,CANISTER (Ref # 92037B) | 92037-1512 | 1 |
| TUBE,14X20X200 (Ref # 92059) | 92059-1800 | 1 |
| TUBE,5X9X890,BLUE (Ref # 92059A) | 92059-1801 | 1 |
| TUBE,7X12X770,GREEN (Ref # 92059B) | 92059-1802 | 1 |
| TUBE,5X9X300,RED (Ref # 92059C) | 92059-1803 | 1 |
| TUBE,4X9X310,WHITE (Ref # 92059D) | 92059-1804 | 1 |
| TUBE,5X9X400,BLUE (Ref # 92059E) | 92059-1805 | 1 |
| NOZZLE,CANISTER (Ref # 92062) | 92062-1070 | 1 |
| BAND,L=90 (Ref # 92072) | 92072-045 | 1 |
| BAND,L=50 (Ref # 92072A) | 92072-066 | 1 |
| BOLT-FLANGED (Ref # 130) | 130C0608 | 2 |
| BOLT-FLANGED (Ref # 130A) | 130J0612 | 2 |