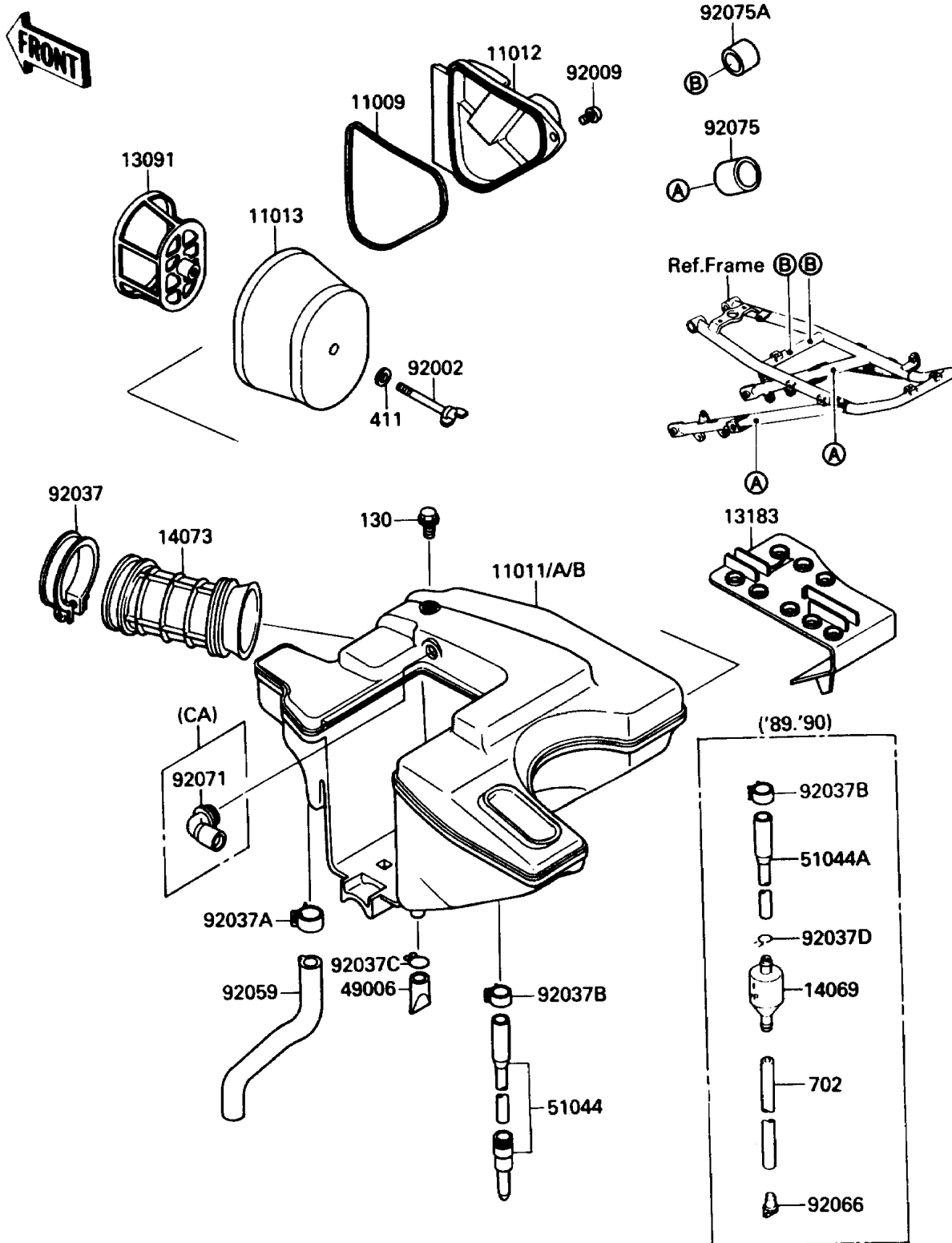


1988 KLR®650 PARTS DIAGRAM

Air Filter

E 11 50



1988 KLR®650 PARTS LIST

Air Filter

| ITEM NAME | PART NUMBER | QUANTITY |
|----------------------------------|-------------|----------|
| GASKET (Ref # 11009) | 11009-1649 | 1 |
| CASE-AIR FILTER (Ref # 11011A) | 11011-1301 | 1 |
| CASE-AIR FILTER (Ref # 11011B) | 11011-1302 | 1 |
| CAP,AIR FILTER (Ref # 11012) | 11012-1681 | 1 |
| ELEMENT-AIR FILTER (Ref # 11013) | 11013-1152 | 1 |
| HOLDER (Ref # 13091) | 13091-1473 | 1 |
| PLATE (Ref # 13183) | 13183-1118 | 1 |
| DUCT (Ref # 14073) | 14073-1288 | 1 |
| BOOT (Ref # 49006) | 49006-1211 | 1 |
| TUBE-ASSY,DRAIN (Ref # 51044) | 51044-1084 | 1 |
| BOLT (Ref # 92002) | 92002-1904 | 1 |
| SCREW (Ref # 92009) | 92009-1460 | 1 |
| CLAMP (Ref # 92037) | 92037-1859 | 1 |
| CLAMP (Ref # 92037A) | 92037-1860 | 1 |
| CLAMP (Ref # 92037B) | 92037-1861 | 1 |
| CLAMP,14.5MM (Ref # 92037C) | 92037-1900 | 1 |
| TUBE (Ref # 92059) | 92059-1774 | 1 |
| GROMMET,AIR FILTER (Ref # 92071) | 92071-1147 | 1 |
| DAMPER,25X31X30 (Ref # 92075) | 92075-1906 | 1 |
| DAMPER,18X27X20 (Ref # 92075A) | 92075-1907 | 1 |
| BOLT-FLANGED,6X10 (Ref # 130) | 130G0610 | 1 |
| WASHER-PLAIN,6MM (Ref # 411) | 411E0600 | 1 |