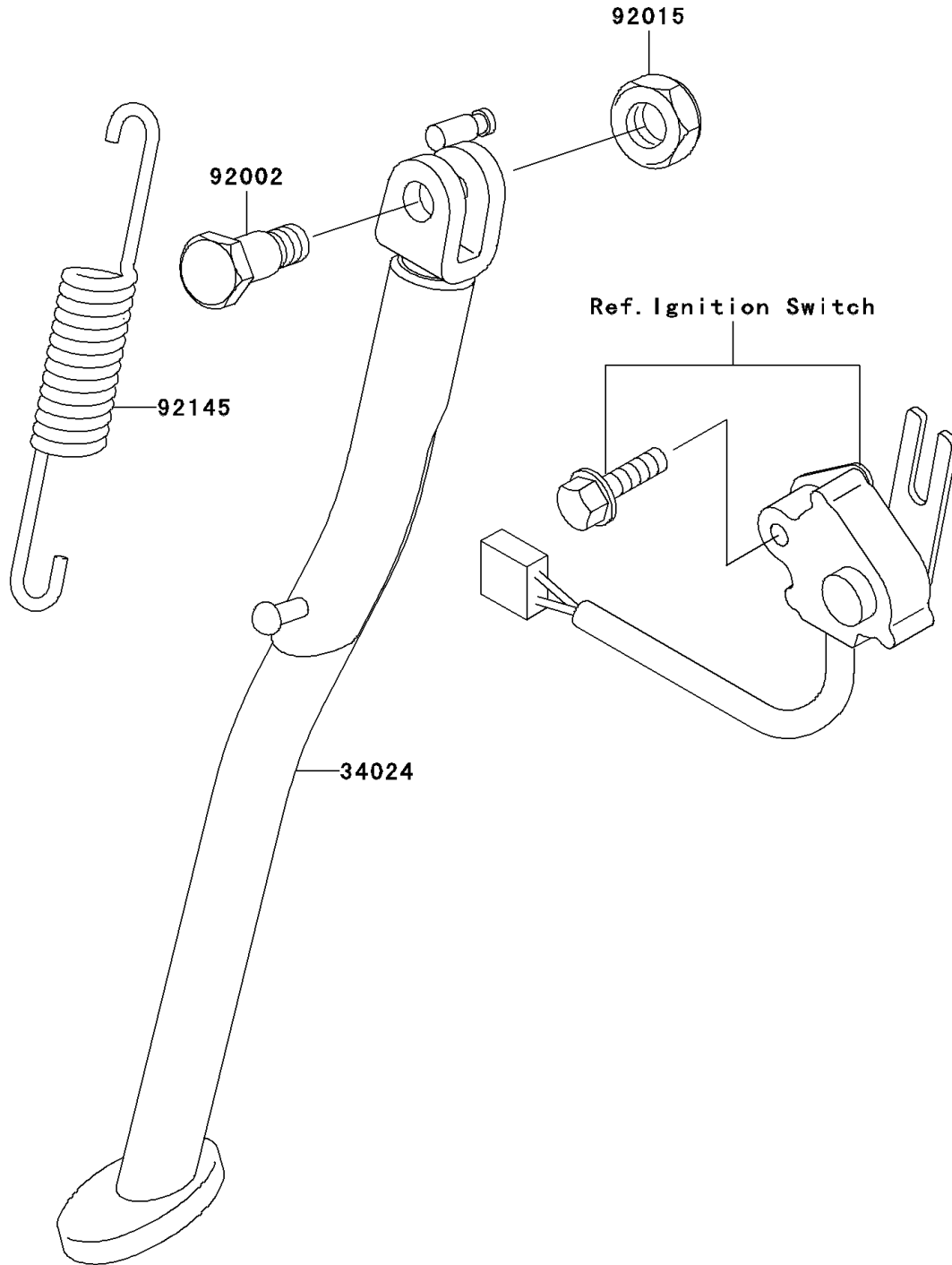


2000 Super Sherpa PARTS DIAGRAM

Stand(s)

F2190



2000 Super Sherpa PARTS LIST

Stand(s)

| ITEM NAME | PART NUMBER | QUANTITY |
|-----------------------------------|-------------|----------|
| STAND-SIDE (Ref # 34024) | 34024-1337 | 1 |
| BOLT,SIDE STAND (Ref # 92002) | 92002-1813 | 1 |
| NUT,LOCK,10MM,BLACK (Ref # 92015) | 92015-1188 | 1 |
| SPRING,SIDE STAND (Ref # 92145) | 92145-0116 | 1 |