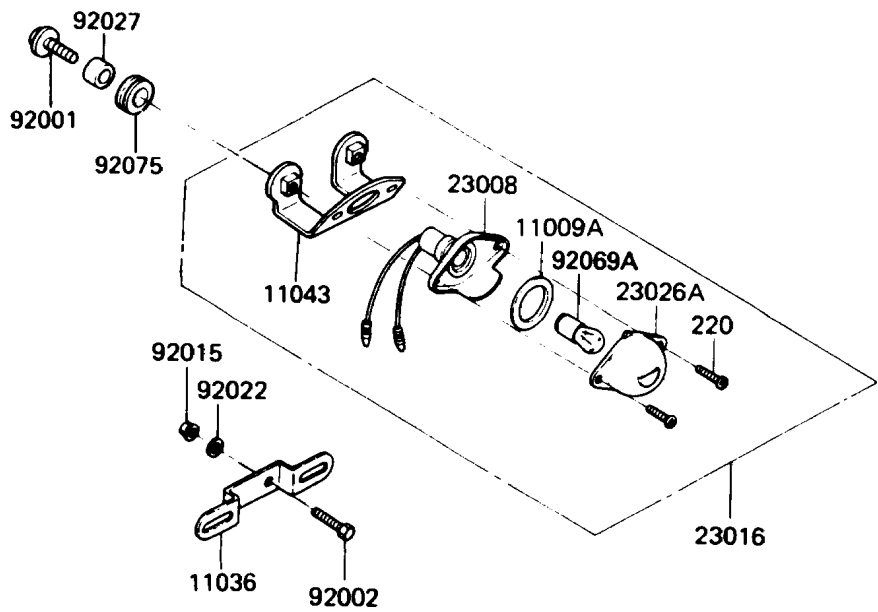
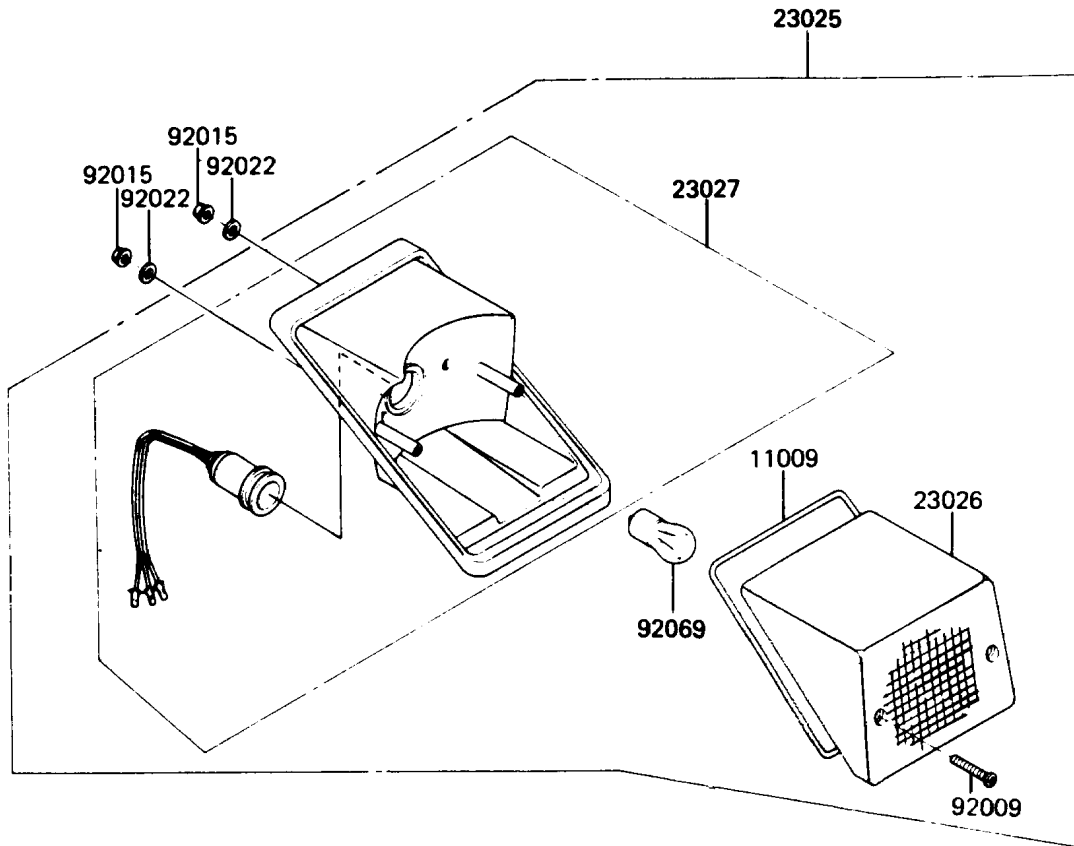


1990 KLR250 PARTS DIAGRAM

Tail Lamp

F2720



1990 KLR250 PARTS LIST

Tail Lamp

ITEM NAME	PART NUMBER	QUANTITY
GASKET,TAIL LAMP (Ref # 11009)	11009-1371	1
GASKET,LICENSE PLATE LAMP (Ref # 11009A)	11009-1372	1
BRACKET-A,LICENSE PLATE (Ref # 11036)	11036-1040	1
BRACKET,LICENSE PLATE LAMP (Ref # 11043)	11043-1497	1
SOCKET-ASSY,LICENSE PLATE LAMP (Ref # 23008)	23008-1205	1
LAMP-ASSY,LICENSE PLATE (Ref # 23016)	23016-1057	1
LAMP-TAIL (Ref # 23025)	23025-1103	1
LENS,TAIL LAMP (Ref # 23026)	23026-1053	1
LENS,LAMP (Ref # 23026A)	23026-1054	1
BODY-COMP-TAIL LAMP (Ref # 23027)	23027-1052	1
BOLT,6X22 (Ref # 92001)	92001-1774	2
BOLT,6X16 (Ref # 92002)	92002-1124	2
SCREW,TAPPING,4X20 (Ref # 92009)	92009-1297	2
NUT,FLANGED,6MM (Ref # 92015)	92015-1367	4
WASHER,6.5X20X1.6 (Ref # 92022)	92022-1557	4
COLLAR,6.8X10X10.5 (Ref # 92027)	92027-120	2
BULB,12V 27/8W (Ref # 92069)	92069-059	1
BULB,12V 8W (Ref # 92069A)	92069-1012	1
DAMPER,CASE (Ref # 92075)	92075-222	2
SCREW-PAN-CROS (Ref # 220)	220B0410	2