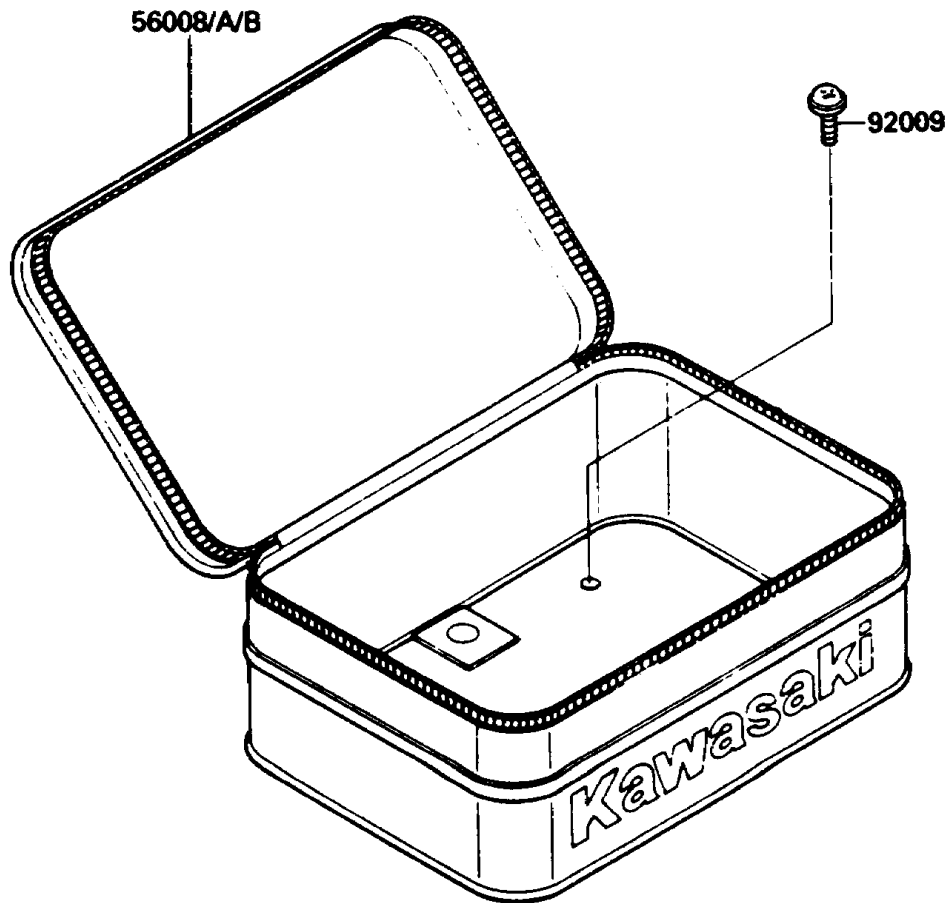


1987 KLR250 PARTS DIAGRAM

Accessory

F2910-0012



1987 KLR250 PARTS LIST

Accessory

ITEM NAME	PART NUMBER	QUANTITY
BAG,TOOL (Ref # 56008)	56008-1054	1
SCREW,6X22,BLACK (Ref # 92009)	92009-1256	4