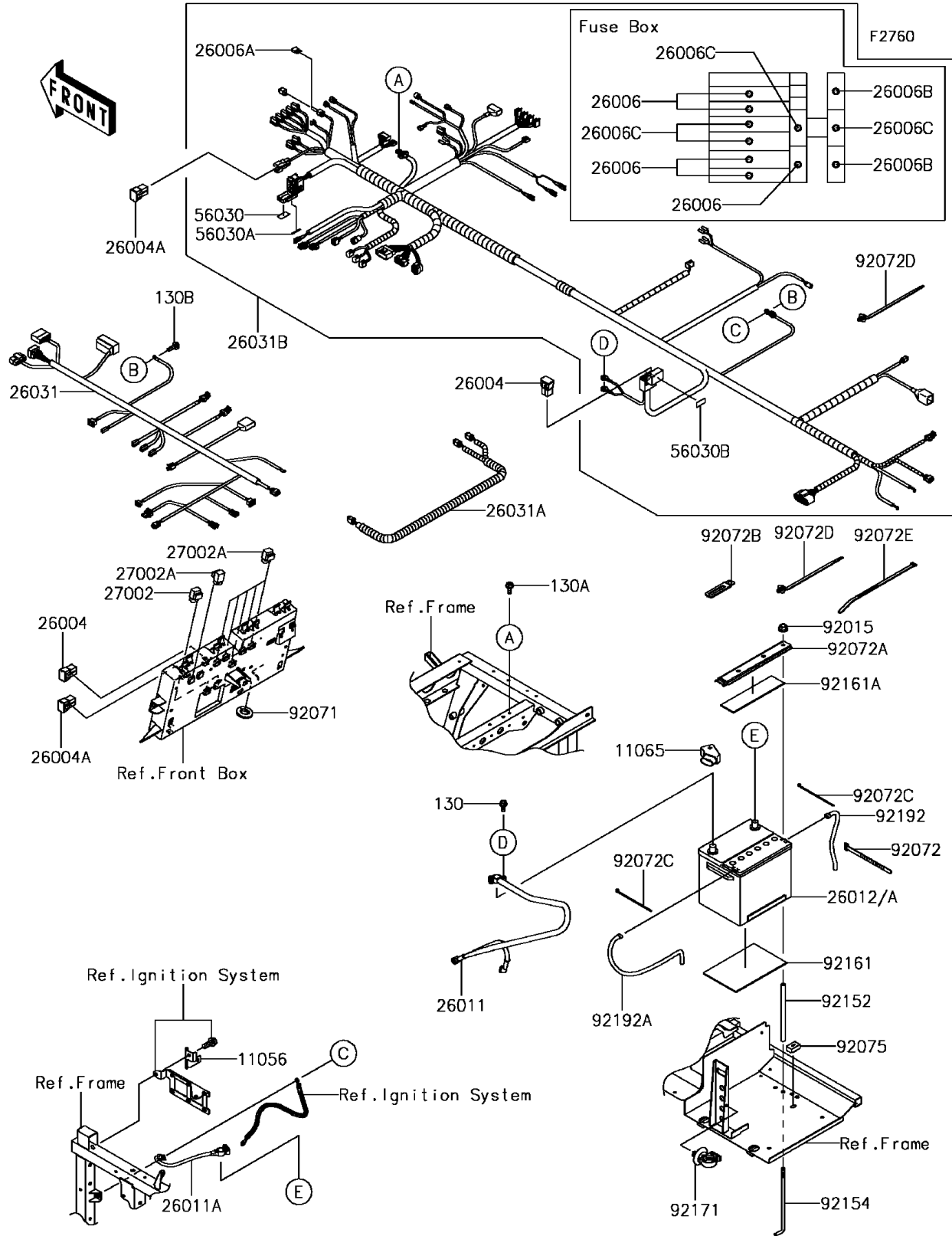


2017 MULE PRO-FXT™ EPS LE PARTS DIAGRAM

Chassis Electrical Equipment



2017 MULE PRO-FXT™ EPS LE PARTS LIST

Chassis Electrical Equipment

ITEM NAME	PART NUMBER	QUANTITY
-----------	-------------	----------