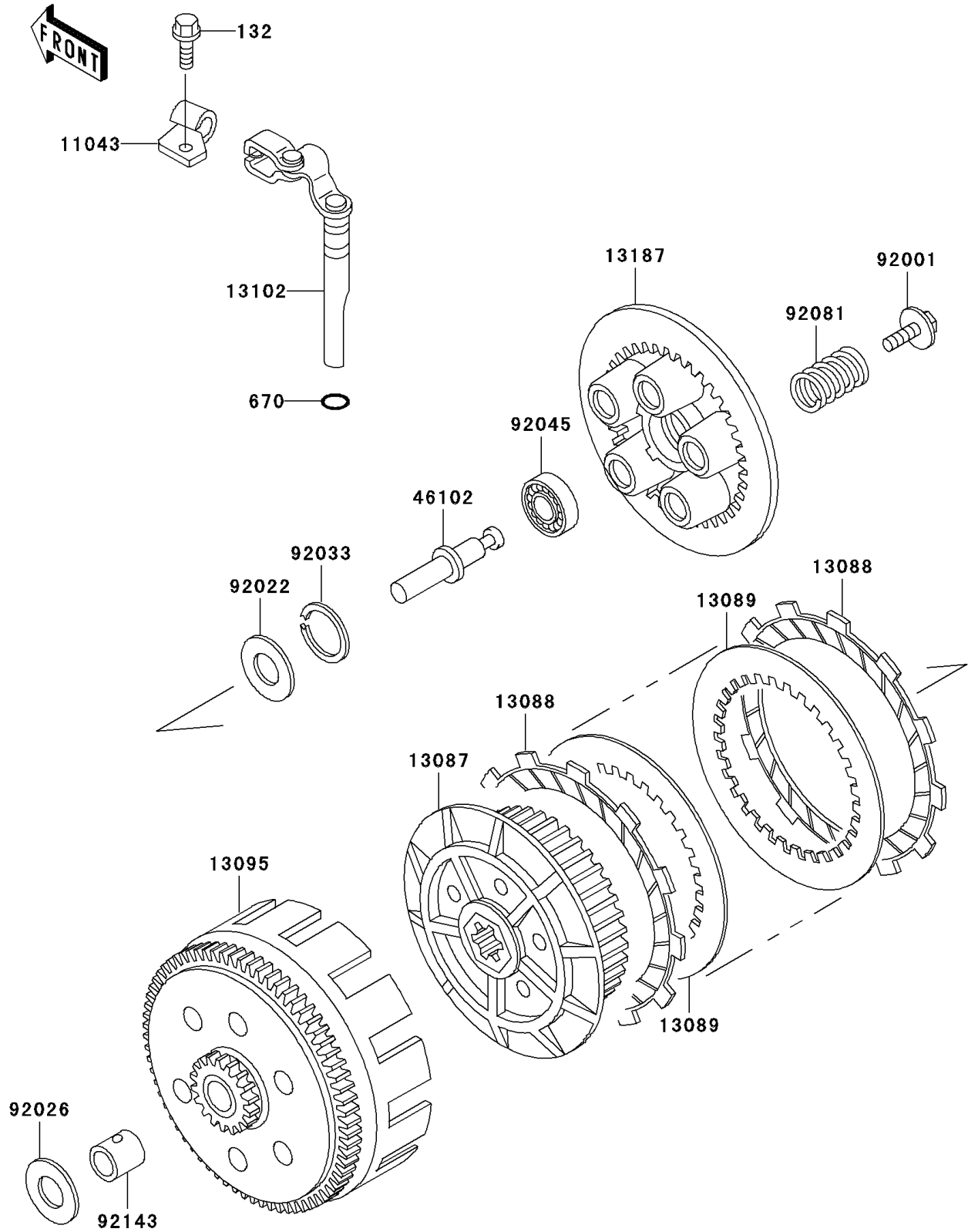


2004 KLR250 PARTS DIAGRAM

Clutch

E1350



2004 KLR250 PARTS LIST

Clutch

| ITEM NAME | PART NUMBER | QUANTITY |
|---------------------------------------|-------------|----------|
| BOLT-FLANGED-SMALL (Ref # 132) | 132J0612 | 1 |
| O RING,9MM (Ref # 670) | 670B1509 | 1 |
| BRACKET,CLUTCH CABLE (Ref # 11043) | 11043-1931 | 1 |
| HUB-CLUTCH (Ref # 13087) | 13087-1063 | 1 |
| PLATE-FRICTION (Ref # 13088) | 13088-1057 | 6 |
| PLATE-CLUTCH,T=2.0 (Ref # 13089) | 13089-1073 | 5 |
| HOUSING-COMP-CLUTCH (Ref # 13095) | 13095-1126 | 1 |
| RELEASE-COMP-CLUTCH (Ref # 13102) | 13102-1064 | 1 |
| PLATE-CLUTCH OPERATING (Ref # 13187) | 13187-1008 | 1 |
| ROD,CLUTCH PUSH (Ref # 46102) | 46102-1033 | 1 |
| BOLT,CLUTCH SPRING,6X18 (Ref # 92001) | 92001-1576 | 5 |
| WASHER,20.5X30X1,STEEL (Ref # 92022) | 92022-112 | 1 |
| SPACER,20.1X34X4 (Ref # 92026) | 92026-1233 | 1 |
| RING-SNAP,18MM (Ref # 92033) | 92033-029 | 1 |
| BEARING-BALL,6001C3ML01 (Ref # 92045) | 92045-1235 | 1 |
| SPRING,CLUTCH (Ref # 92081) | 92081-083 | 5 |
| COLLAR (Ref # 92143) | 92143-1669 | 1 |