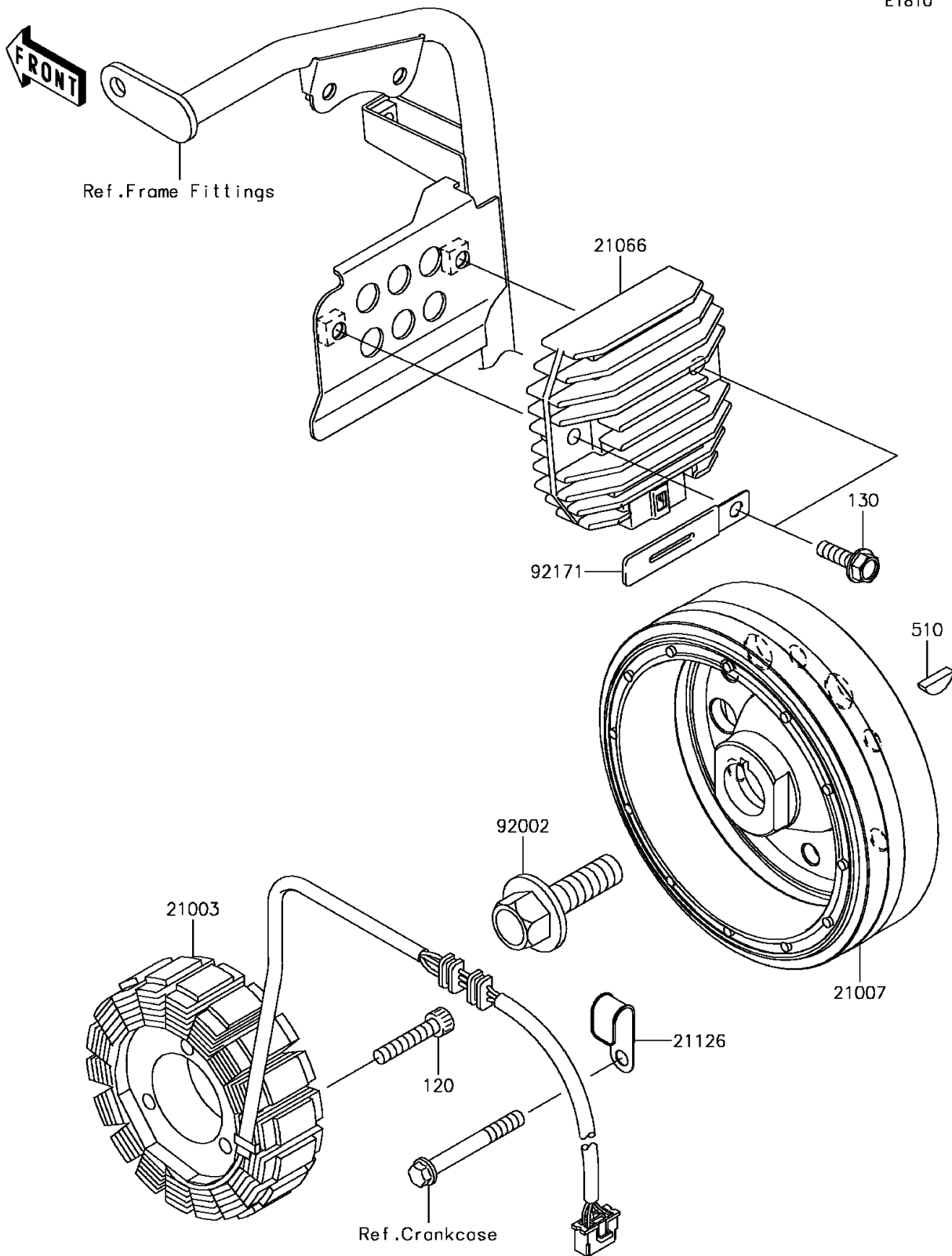


## 2017 KLR650 PARTS DIAGRAM

Generator

E1810



## 2017 KLR650 PARTS LIST

Generator

ITEM NAME	PART NUMBER	QUANTITY
BOLT-SOCKET,6X30 (Ref # 120)	120CA0630	1
BOLT-FLANGED,6X20 (Ref # 130)	130BA0620	1
KEY-WOODRUFF (Ref # 510)	510A4200	1
STATOR (Ref # 21003)	21003-0106	1
ROTOR (Ref # 21007)	21007-0153	1
REGULATOR-VOLTAGE (Ref # 21066)	21066-0027	1
CLAMP,WIRING HARNESS (Ref # 21126)	21126-008	1
BOLT,FLANGED,12X40 (Ref # 92002)	92002-1693	1
CLAMP,WIRING HARNESS,L=60 (Ref # 92171)	92171-1425	1