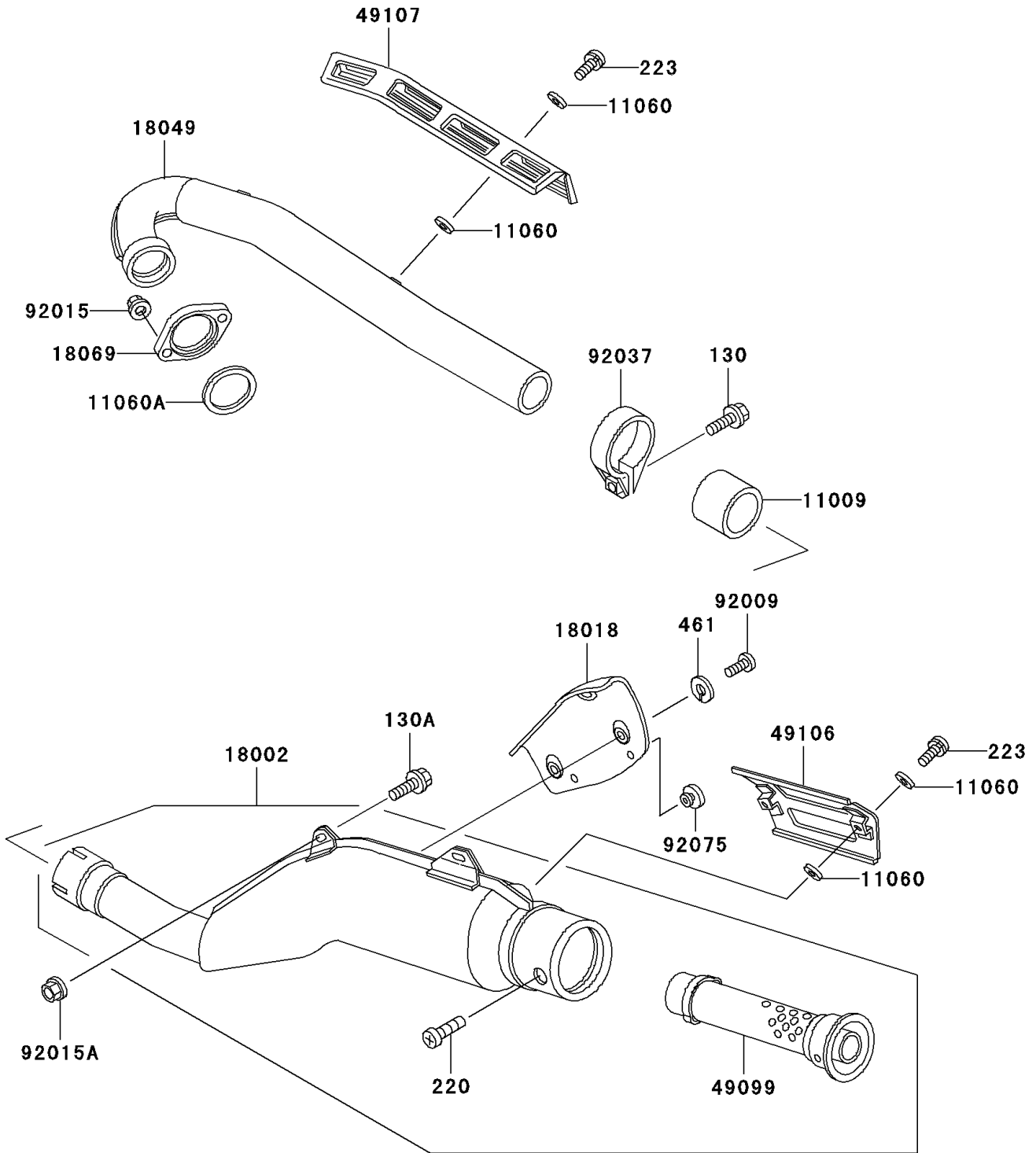


2000 KLR250 PARTS DIAGRAM

Muffler(s)

E1140



2000 KLR250 PARTS LIST

Muffler(s)

| ITEM NAME | PART NUMBER | QUANTITY |
|--|-------------|----------|
| BOLT-FLANGED,8X30 (Ref # 130) | 130J0830 | 1 |
| BOLT-FLANGED,8X40 (Ref # 130A) | 130J0840 | 2 |
| SCREW-PAN-CROS,6X10 (Ref # 220) | 220B0610 | 1 |
| SCREW-PAN-WS-CROS (Ref # 223) | 223C0610 | 4 |
| WASHER-SPRING,6MM (Ref # 461) | 461F0600 | 3 |
| GASKET,EXHAUST PIPE CONNECTING (Ref # 11009) | 11009-1667 | 1 |
| GASKET,6.2X11.5X1.5 (Ref # 11060) | 11060-1109 | 8 |
| GASKET,EXHAUST PIPE (Ref # 11060A) | 11060-1126 | 1 |
| BODY-COMP-MUFFLER (Ref # 18002) | 18002-1740 | 1 |
| PLATE-HEAT GUARD (Ref # 18018) | 18018-1055 | 1 |
| PIPE-EXHAUST (Ref # 18049) | 18049-1461 | 1 |
| HOLDER-EXHAUST PIPE (Ref # 18069) | 18069-1058 | 1 |
| BAFFLE-PIPE MUFFLER (Ref # 49099) | 49099-1219 | 1 |
| COVER-MUFFLER (Ref # 49106) | 49106-1052 | 1 |
| COVER-EXHAUST PIPE (Ref # 49107) | 49107-1057 | 1 |
| SCREW,6X6.7 (Ref # 92009) | 92009-1054 | 3 |
| NUT (Ref # 92015) | 92015-1331 | 2 |
| NUT,8MM (Ref # 92015A) | 92015-1402 | 2 |
| CLAMP (Ref # 92037) | 92037-1604 | 1 |
| DAMPER (Ref # 92075) | 92075-005 | 2 |