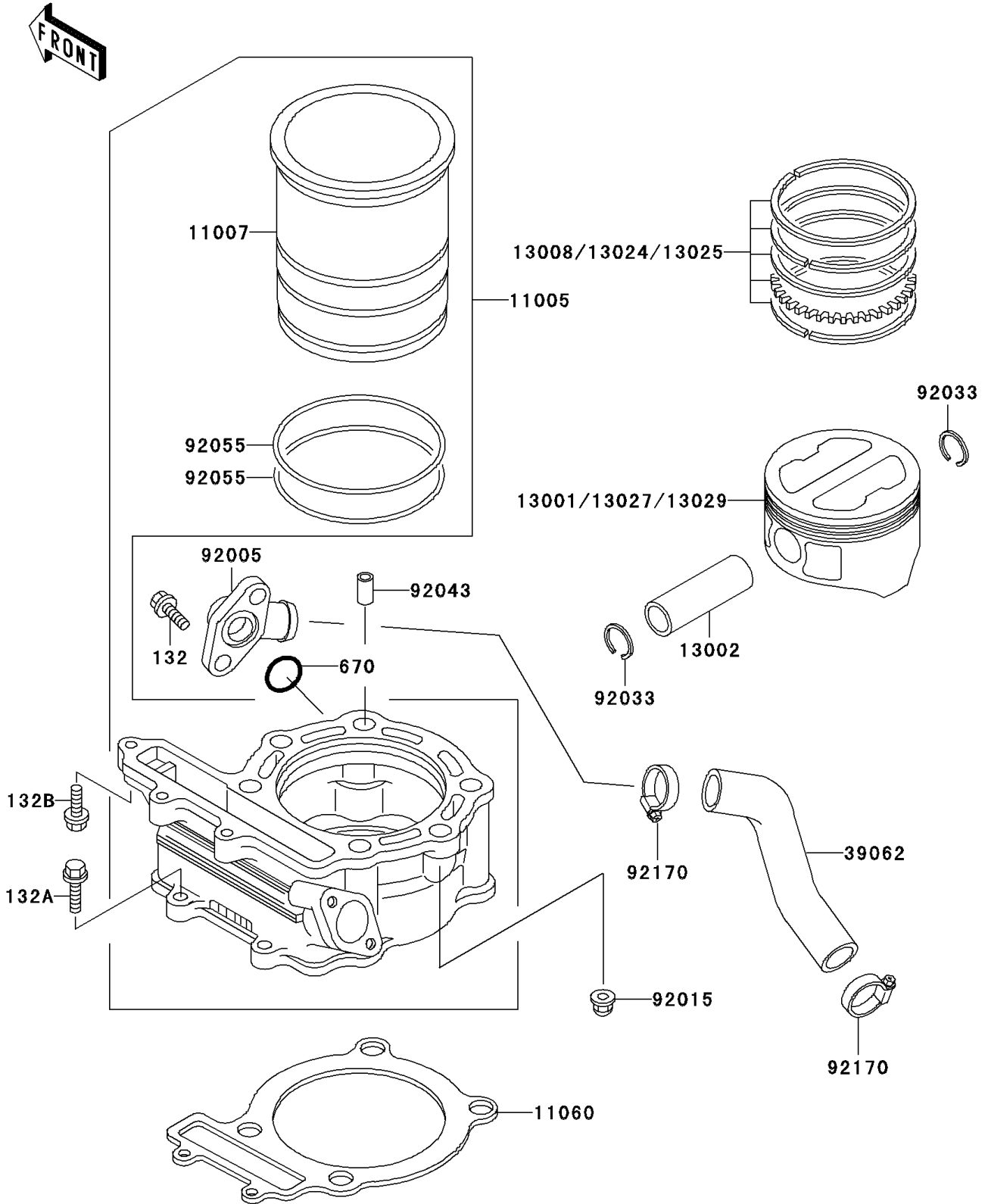


# 2000 KLR250 PARTS DIAGRAM

Cylinder/Piston(s)

E1120



# 2000 KLR250 PARTS LIST

Cylinder/Piston(s)

ITEM NAME	PART NUMBER	QUANTITY
-----------	-------------	----------