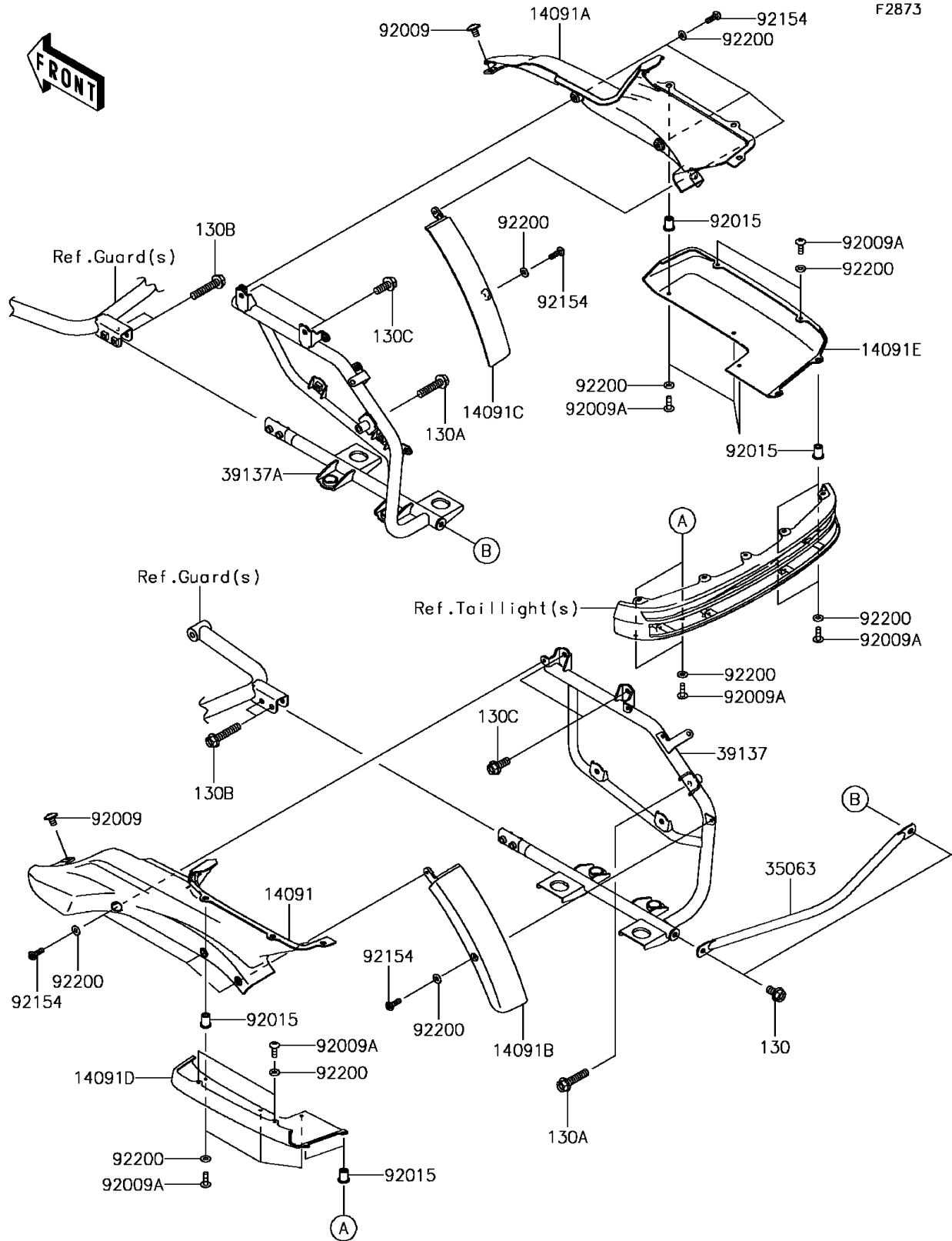


# 2015 Vulcan 1700 Voyager ABS PARTS DIAGRAM

Saddlebags(Side Bag Bracket)



## 2015 Vulcan 1700 Voyager ABS PARTS LIST

Saddlebags(Side Bag Bracket)

ITEM NAME	PART NUMBER	QUANTITY
BOLT-FLANGED,8X14 (Ref # 130)	130BA0814	2
BOLT-FLANGED,8X35 (Ref # 130A)	130BA0835	2
BOLT-FLANGED,8X40 (Ref # 130B)	130BA0840	4
BOLT-FLANGED,8X20 (Ref # 130C)	130CA0820	4
COVER,STAY,LWR,LH (Ref # 14091)	14091-0950	1
COVER,STAY,LWR,RH (Ref # 14091A)	14091-0951	1
COVER,STRUT,LH (Ref # 14091B)	14091-0957	1
COVER,STRUT,RH (Ref # 14091C)	14091-0958	1
COVER,STAY,UPP,LH (Ref # 14091D)	14091-1661	1
COVER,STAY,UPP,RH (Ref # 14091E)	14091-1662	1
STAY,PANNIER (Ref # 35063)	35063-0537	1
STAY-COMP,PANNIER,LH (Ref # 39137)	39137-0048	1
STAY-COMP,PANNIER,RH (Ref # 39137A)	39137-0049	1
SCREW,6X10,WHITE (Ref # 92009)	92009-1286	2
SCREW,5X16,WHITE (Ref # 92009A)	92009-1464	14
NUT,WELL,5MM (Ref # 92015)	92015-1757	10
BOLT,SOCKET,5X16 (Ref # 92154)	92154-0287	8
WASHER,NATURAL,5.3X11.5X1.0 (Ref # 92200)	92200-0538	22