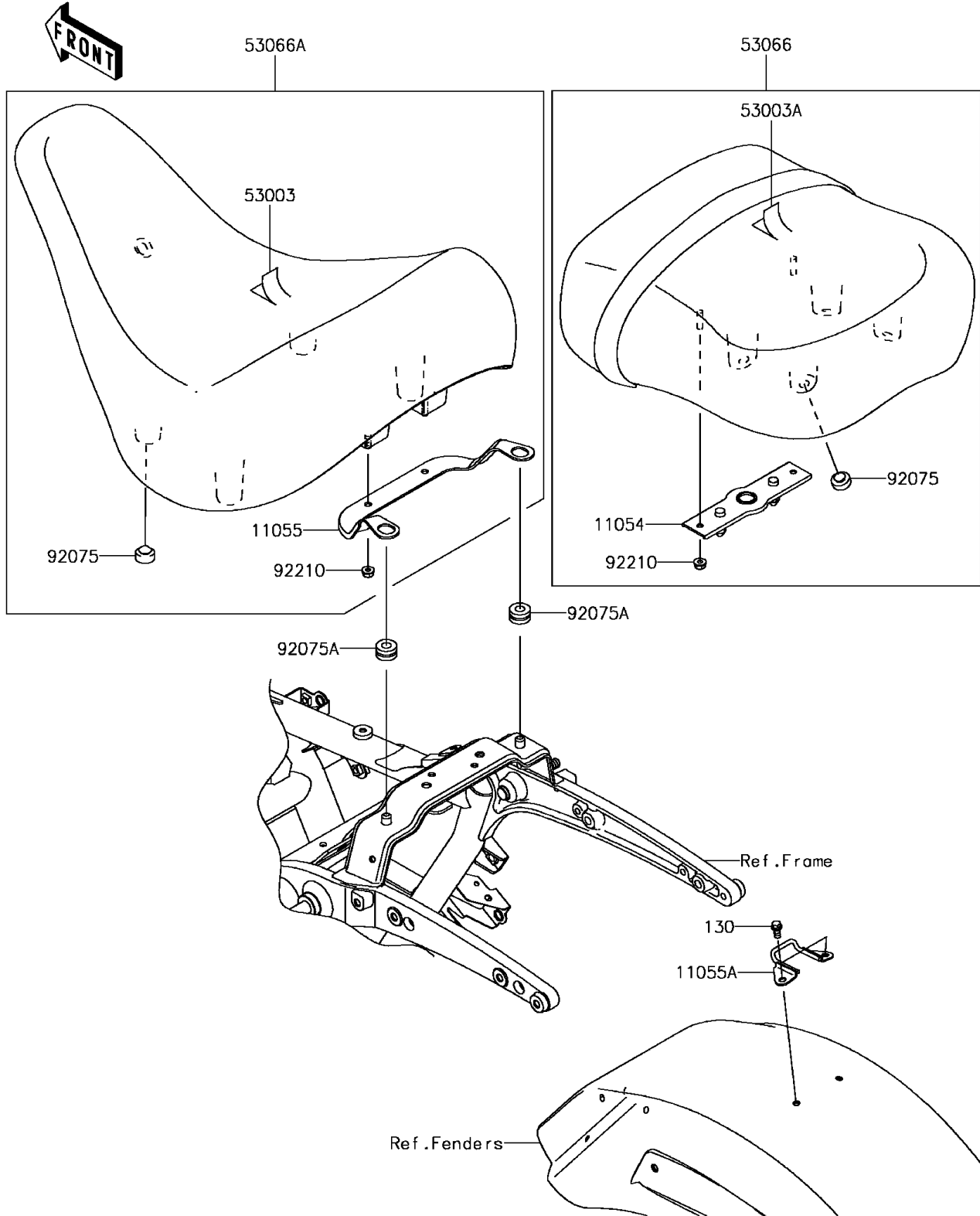


# 2015 Vulcan 1700 Voyager ABS PARTS DIAGRAM

Seat

F2510



## 2015 Vulcan 1700 Voyager ABS PARTS LIST

### Seat

ITEM NAME	PART NUMBER	QUANTITY
BOLT-FLANGED,6X12 (Ref # 130)	130BB0612	2
BRACKET,SEAT (Ref # 11054)	11054-0417	1
BRACKET (Ref # 11055)	11055-0612	1
BRACKET,REAR SEAT (Ref # 11055A)	11055-1211	1
LEATHER,FRONT SEAT,BLACK (Ref # 53003)	53003-0186-MA	1
LEATHER,REAR SEAT,BLK+BAND BLK (Ref # 53003A)	53003-0187-12Y	1
SEAT,RR,LEATHER BLK+BAND BLK (Ref # 53066)	53066-0233-12Y	1
SEAT-ASSY,FR,BLACK (Ref # 53066A)	53066-0383-MA	1
DAMPER,10X20X8 (Ref # 92075)	92075-1927	9
DAMPER (Ref # 92075A)	92075-209	2
NUT (Ref # 92210)	92210-0401	4