

# 2014 VULCAN® 1700 VOYAGER® ABS

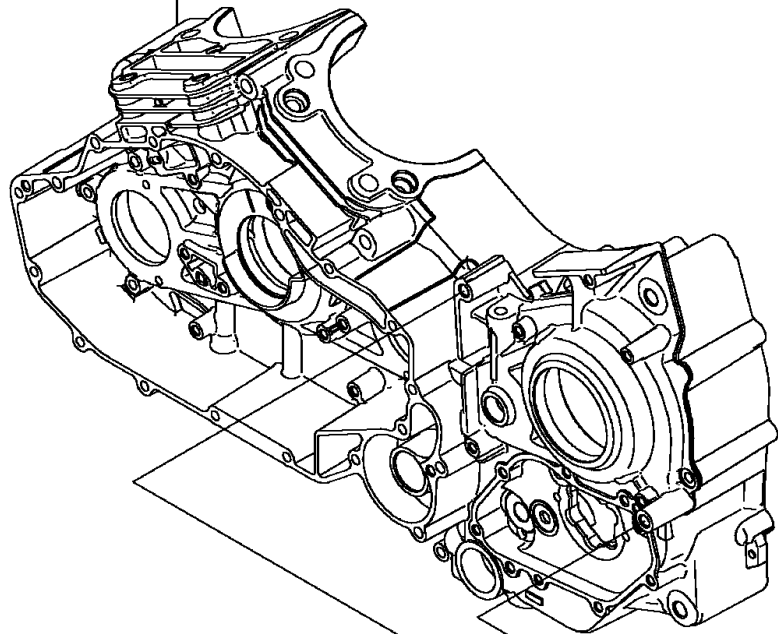
## PARTS DIAGRAM

### Chain Cover



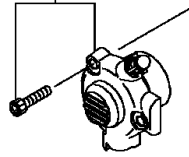
Ref .Crankcase

E1433



Ref .Clutch

92043



120

14091

49048

53044

92043

120A

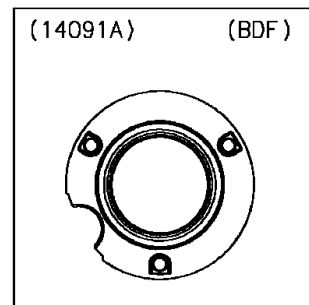
14091A

92153

120A

120

92153



# 2014 VULCAN® 1700 VOYAGER® ABS

**Kawasaki**  
Let the Good Times Roll®

## PARTS LIST

### Chain Cover

ITEM NAME	PART NUMBER	QUANTITY
BOLT-SOCKET,6X40 (Ref # 120)	120CC0640	2
BOLT-SOCKET,6X70 (Ref # 120A)	120CC0670	2
COVER,PULLEY (Ref # 14091)	14091-0970	1
COVER,PULLEY,OUTER (Ref # 14091A)	14091-0994	1
SHOE (Ref # 49048)	49048-0004	1
TRIM,ISOLATOR (Ref # 53044)	53044-0047	1
PIN,6.2X8X14 (Ref # 92043)	92043-1263	2
BOLT,SOCKET,6X22 (Ref # 92153)	92153-1331	3