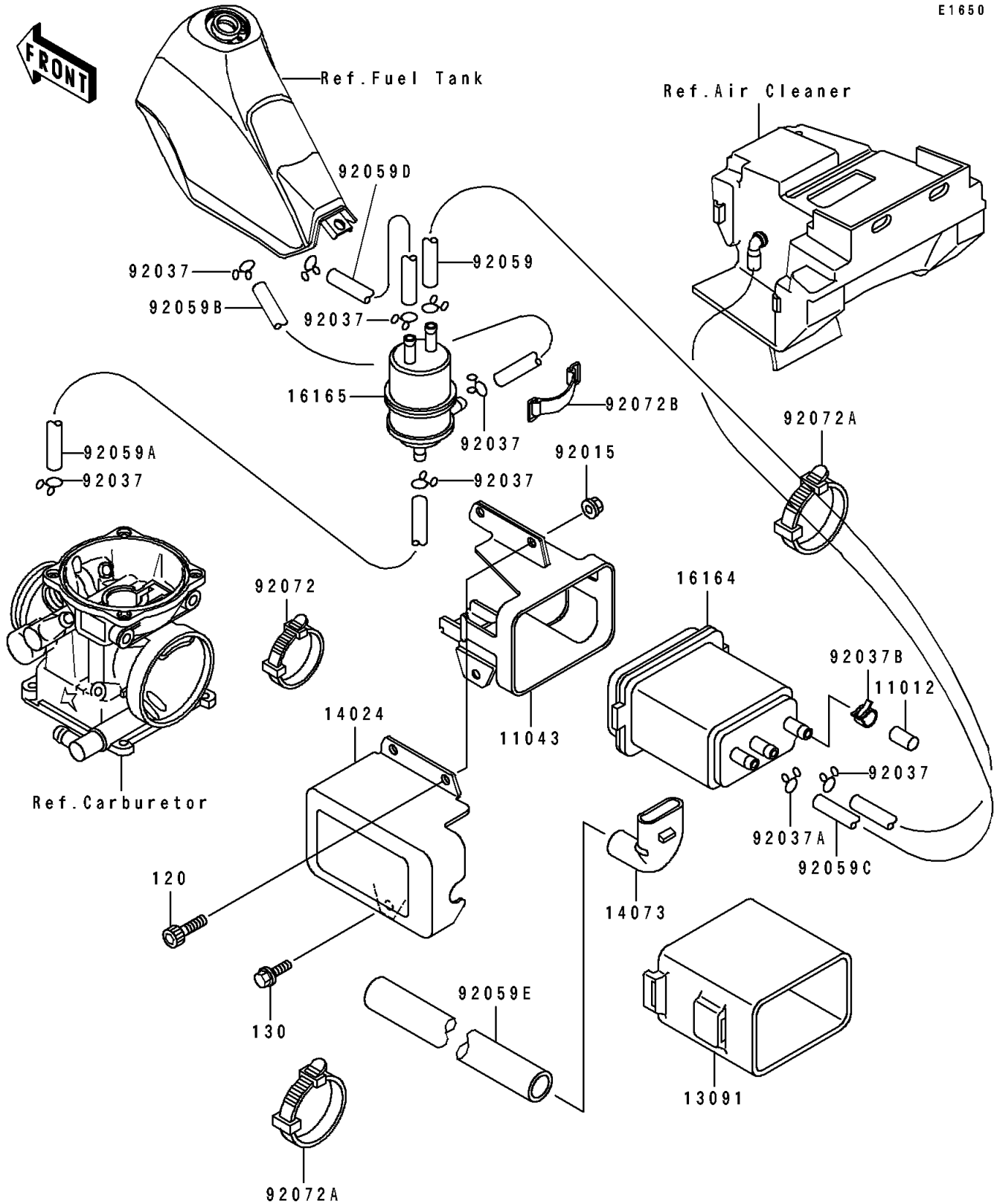


1995 KLR250 PARTS DIAGRAM

Fuel Evaporative System

E1650



1995 KLR250 PARTS LIST

Fuel Evaporative System

| ITEM NAME | PART NUMBER | QUANTITY |
|------------------------------------|-------------|----------|
| CAP,CANISTER (Ref # 11012) | 11012-1388 | 1 |
| BRACKET,CANISTER (Ref # 11043) | 11043-1180 | 1 |
| HOLDER,CANISTER (Ref # 13091) | 13091-1176 | 1 |
| COVER,CANISTER (Ref # 14024) | 14024-1063 | 1 |
| DUCT,CANISTER (Ref # 14073) | 14073-1219 | 1 |
| CANISTER (Ref # 16164) | 16164-1001 | 1 |
| SEPARATOR (Ref # 16165) | 16165-1001 | 1 |
| NUT,6MM (Ref # 92015) | 92015-1365 | 2 |
| CLAMP,TUBE (Ref # 92037) | 92037-072 | 8 |
| CLAMP,HOSE (Ref # 92037A) | 92037-1104 | 1 |
| CLAMP,CANISTER (Ref # 92037B) | 92037-1512 | 1 |
| TUBE,5X9X860,BLUE (Ref # 92059) | 92059-1531 | 1 |
| TUBE,4X9X500,WHITE (Ref # 92059A) | 92059-1533 | 1 |
| TUBE,5X9X430,RED (Ref # 92059B) | 92059-1534 | 1 |
| TUBE,7X12X660,GREEN (Ref # 92059C) | 92059-1535 | 1 |
| TUBE,5X9X255,BLUE (Ref # 92059D) | 92059-1536 | 1 |
| TUBE,14X20X470 (Ref # 92059E) | 92059-1571 | 1 |
| BAND,L=149 (Ref # 92072) | 92072-031 | 1 |
| BAND,L=186 (Ref # 92072A) | 92072-056 | 2 |
| BAND,L=50 (Ref # 92072B) | 92072-066 | 1 |
| BOLT-SOCKET,6X16,BLACK (Ref # 120) | 120S0616 | 2 |
| BOLT-FLANGED (Ref # 130) | 130C0608 | 1 |