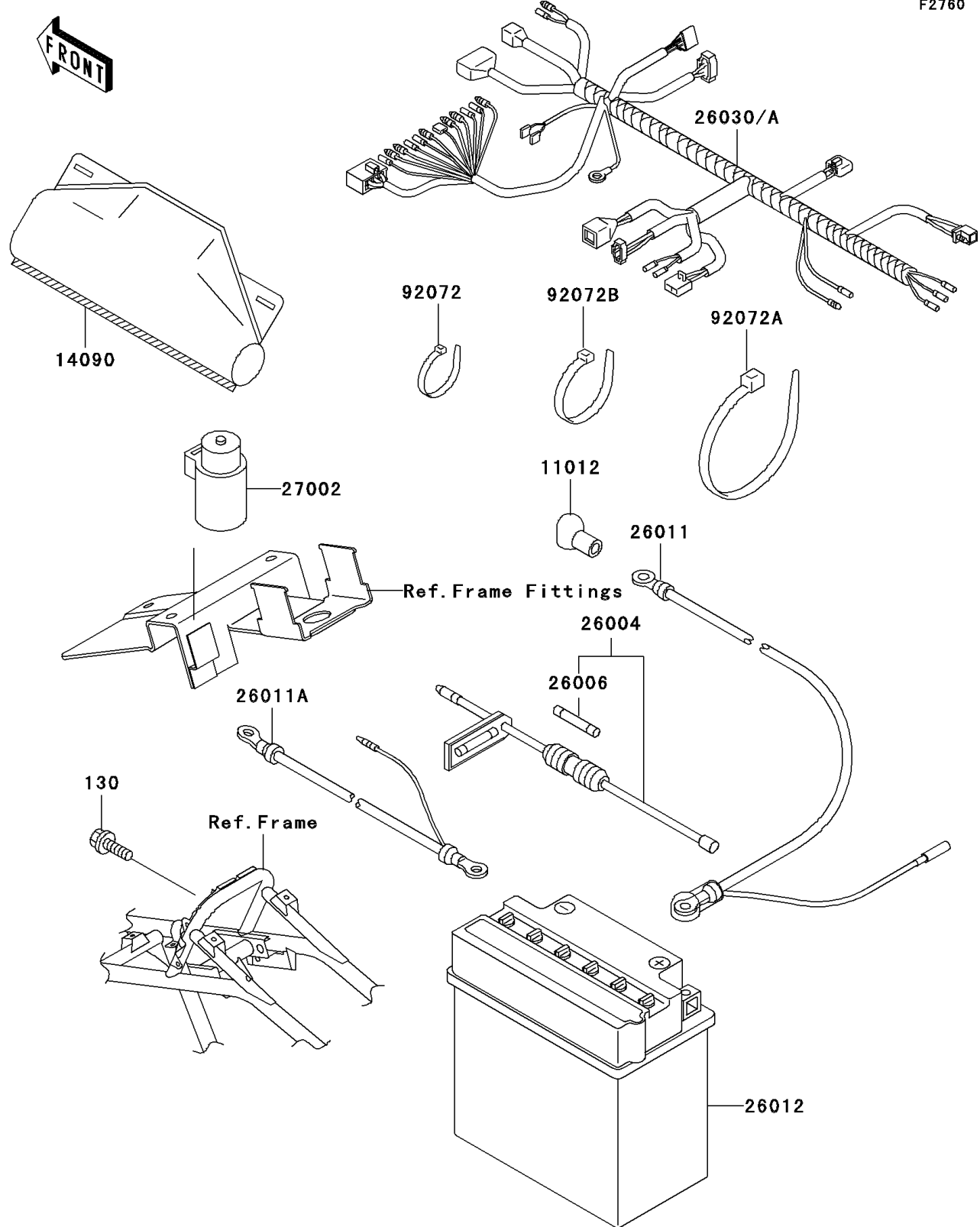


# 2002 Lakota Sport PARTS DIAGRAM

Chassis Electrical Equipment

F2760



## 2002 Lakota Sport PARTS LIST

### Chassis Electrical Equipment

ITEM NAME	PART NUMBER	QUANTITY
BOLT-FLANGED,6X12 (Ref # 130)	130B0612	1
CAP,TERMINAL (Ref # 11012)	11012-1354	1
COVER,COUPLER (Ref # 14090)	14090-1611	1
FUSE-ASSY (Ref # 26004)	26004-3715	1
FUSE,30A,L=30 (Ref # 26006)	26006-1059	2
WIRE-LEAD,BATTERY(+) (Ref # 26011)	26011-1602	1
WIRE-LEAD,BATTERY(-) (Ref # 26011A)	26011-1782	1
BATTERY,YB14A-A2,12V 14AH (Ref # 26012)	26012-1388	1
HARNESS,MAIN (Ref # 26030)	26030-1796	1
RELAY-ASSY (Ref # 27002)	27002-1095	1
BAND,L=149 (Ref # 92072)	92072-031	2
BAND,L=365 (Ref # 92072A)	92072-1197	1
BAND,L=188 (Ref # 92072B)	92072-1239	18