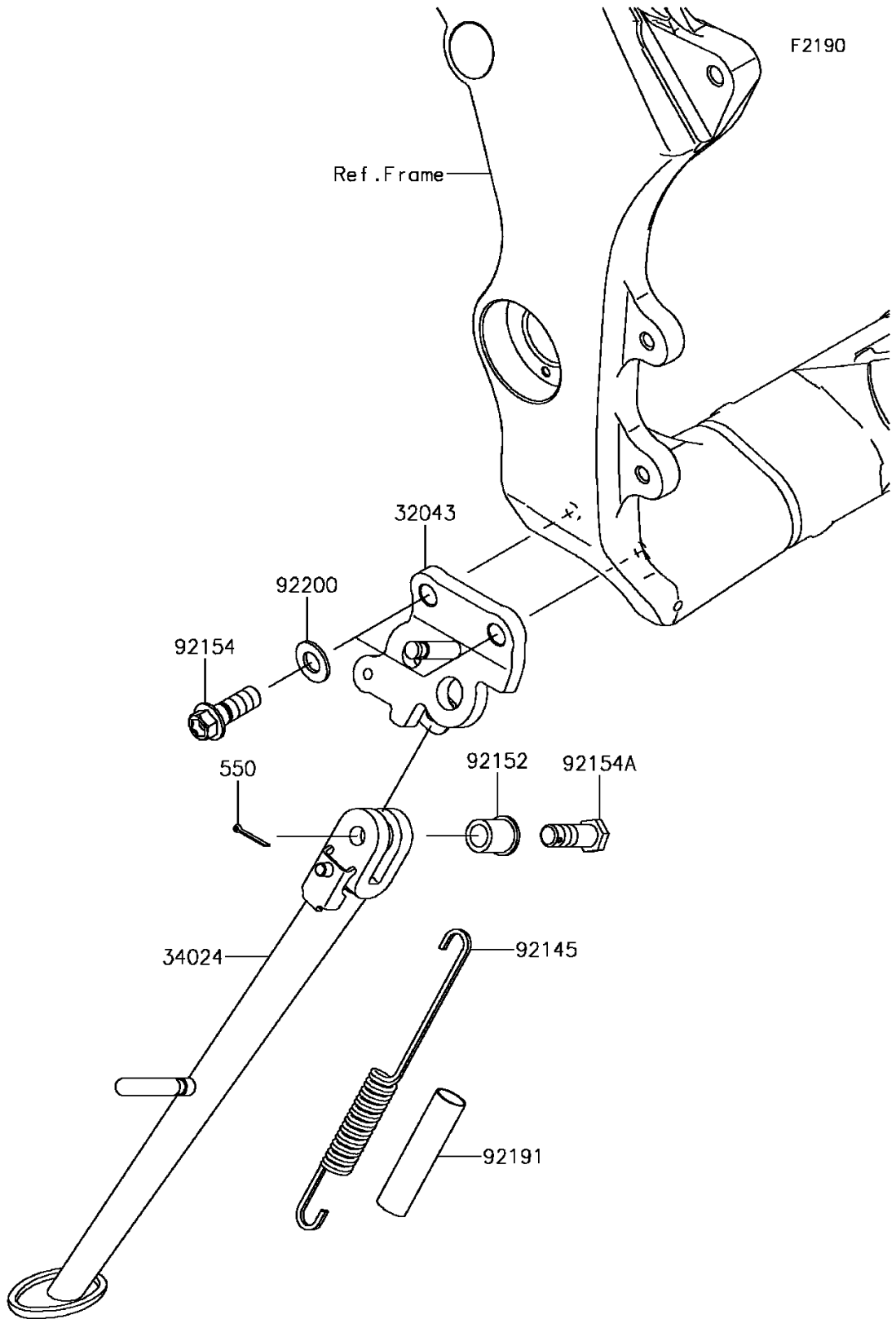


# 2016 Ninja ZX-10R ABS KRT Edition PARTS DIAGRAM

Stand(s)



## 2016 Ninja ZX-10R ABS KRT Edition PARTS LIST

Stand(s)

| ITEM NAME                             | PART NUMBER    | QUANTITY |
|---------------------------------------|----------------|----------|
| PIN-COTTER,2.0X15 (Ref # 550)         | 550AA2015      | 1        |
| BRACKET-STAND,F.S.BLACK (Ref # 32043) | 32043-0604-18R | 1        |
| STAND-SIDE,F.S.BLACK (Ref # 34024)    | 34024-0137-18R | 1        |
| SPRING,SIDE STAND (Ref # 92145)       | 92145-1731     | 1        |
| COLLAR,10.2X15X18.1 (Ref # 92152)     | 92152-2171     | 1        |
| BOLT,FLANGED,10X28 (Ref # 92154)      | 92154-1963     | 2        |
| BOLT,10X30 (Ref # 92154A)             | 92154-2088     | 1        |
| TUBE,13X16X60 (Ref # 92191)           | 92191-1001     | 1        |
| WASHER,10.2X20X1.6 (Ref # 92200)      | 92200-0328     | 2        |