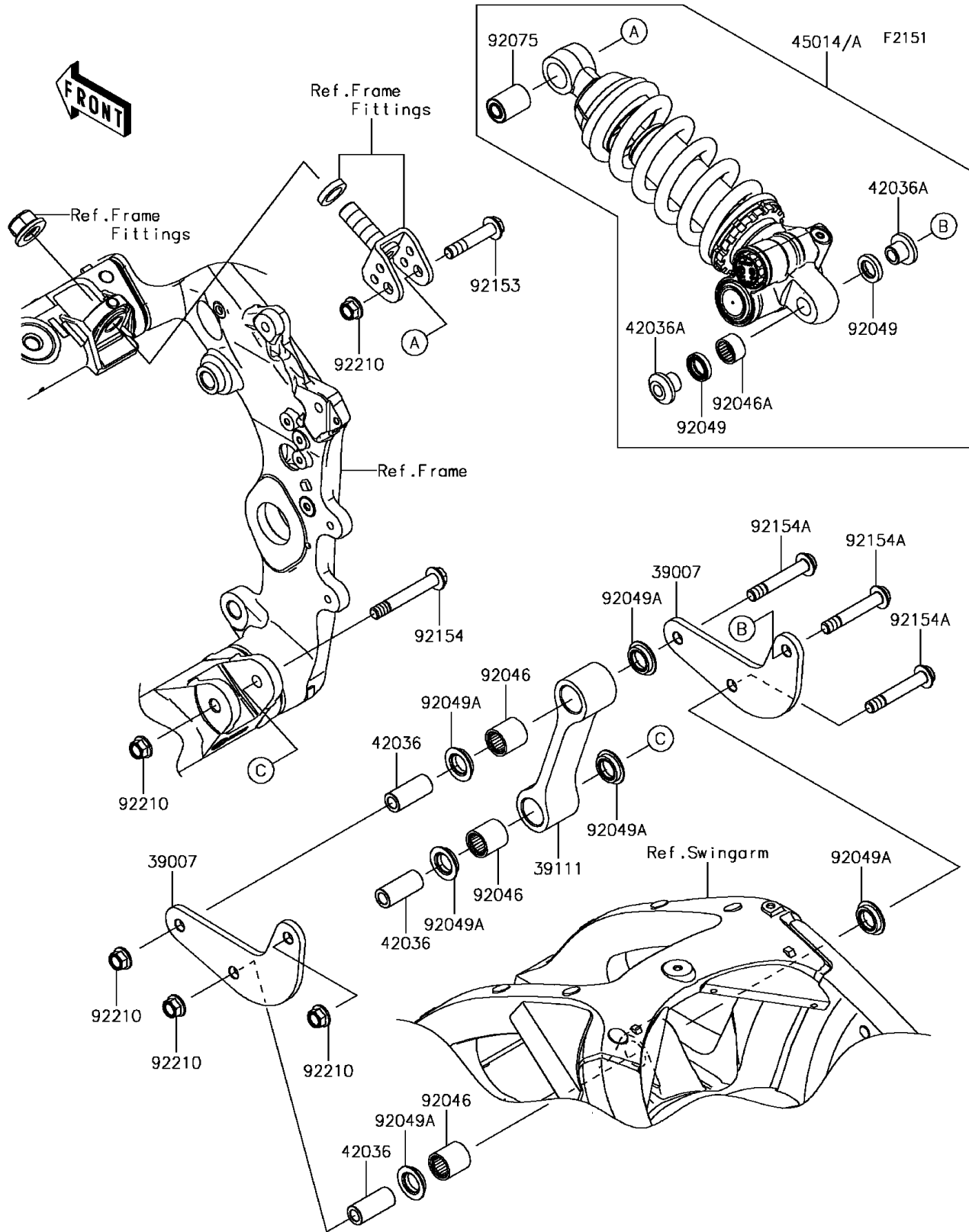


2016 Ninja ZX-10R ABS KRT Edition PARTS DIAGRAM

Suspension/Shock Absorber



2016 Ninja ZX-10R ABS KRT Edition PARTS LIST

Suspension/Shock Absorber

ITEM NAME	PART NUMBER	QUANTITY
ARM-SUSP (Ref # 39007)	39007-0395	2
ROD-TIE,SUSPENSION (Ref # 39111)	39111-0337	1
SLEEVE,10.1X17X39 (Ref # 42036)	42036-0075	3
SLEEVE (Ref # 42036A)	42036-0789	2
SHOCKABSORBER,BLACK/GRAY (Ref # 45014)	45014-0515-52G	1
BEARING-NEEDLE,SFYZM172425 (Ref # 92046)	92046-1273	3
BEARING-NEEDLE,7E-HVS16X22X12 (Ref # 92046A)	92046-1301	1
SEAL-OIL (Ref # 92049)	92049-0792	2
SEAL-OIL,MHA17245.7F (Ref # 92049A)	92049-1223	6
DAMPER,SHOCKABSORBER (Ref # 92075)	92075-1426	1
BOLT,FLANGED,10X51 (Ref # 92153)	92153-1545	1
BOLT,FLANGED,10X71 (Ref # 92154)	92154-0384	1
BOLT,FLANGED,10X63 (Ref # 92154A)	92154-0398	3
NUT,LOCK,FLANGED,10MM (Ref # 92210)	92210-1139	5