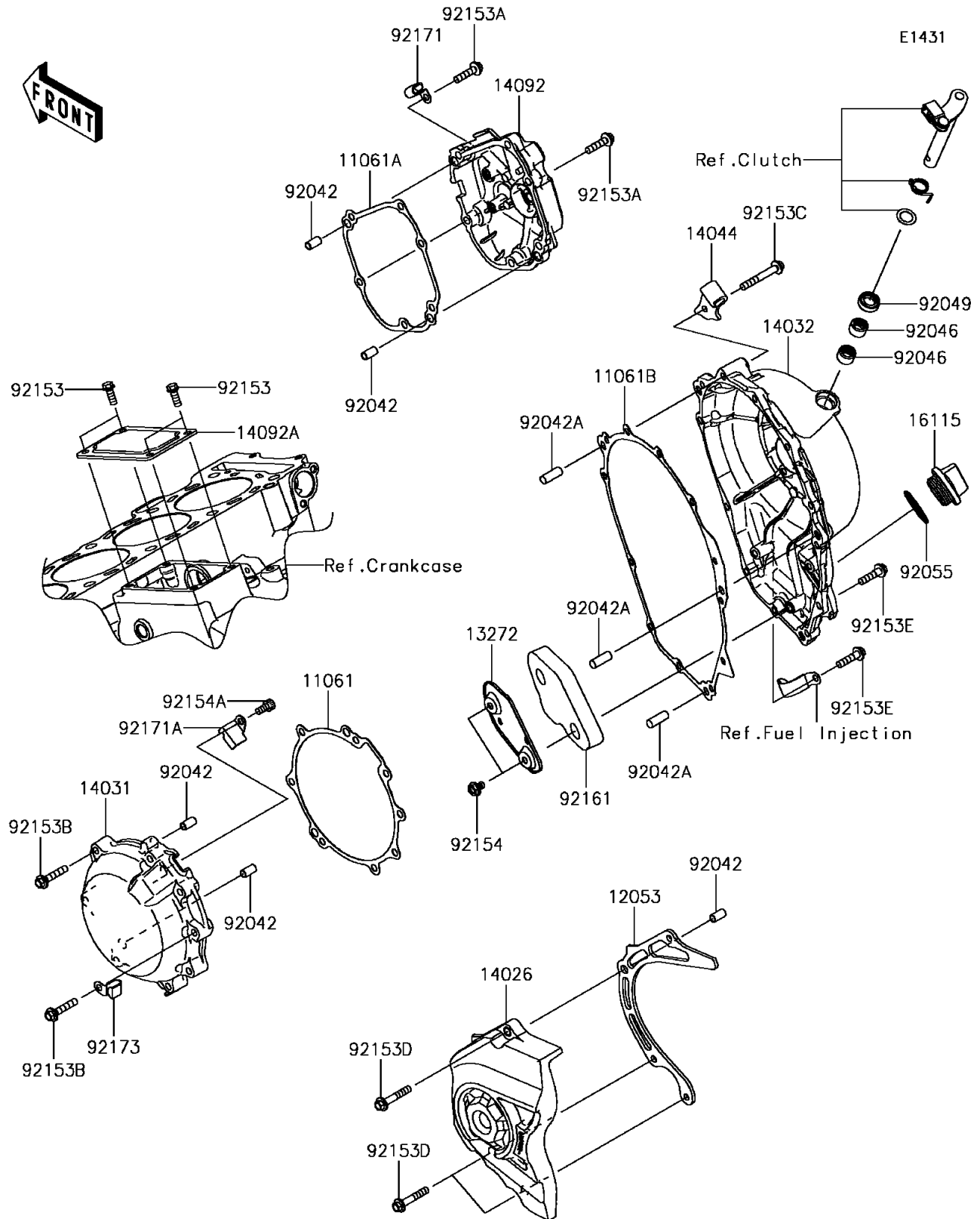


2016 Ninja ZX-10R ABS KRT Edition PARTS DIAGRAM

Engine Cover(s)



2016 Ninja ZX-10R ABS KRT Edition PARTS LIST

Engine Cover(s)

| ITEM NAME | PART NUMBER | QUANTITY |
|---------------------------------------|-------------|----------|
| GASKET,GENERATOR COVER (Ref # 11061) | 11061-0441 | 1 |
| GASKET,PULSER COVER (Ref # 11061A) | 11061-0442 | 1 |
| GASKET (Ref # 11061B) | 11061-0735 | 1 |
| GUIDE-CHAIN (Ref # 12053) | 12053-0229 | 1 |
| PLATE (Ref # 13272) | 13272-0892 | 1 |
| COVER-CHAIN (Ref # 14026) | 14026-0124 | 1 |
| COVER-GENERATOR (Ref # 14031) | 14031-0555 | 1 |
| COVER-CLUTCH (Ref # 14032) | 14032-0560 | 1 |
| HOLDER-CABLE (Ref # 14044) | 14044-0566 | 1 |
| COVER,PULSER (Ref # 14092) | 14092-0152 | 1 |
| COVER,STARTER (Ref # 14092A) | 14092-0153 | 1 |
| CAP-OIL FILLER (Ref # 16115) | 16115-1009 | 1 |
| PIN,DOWEL,6.3X8X14 (Ref # 92042) | 92042-007 | 5 |
| PIN,DOWEL,8X22 (Ref # 92042A) | 92042-044 | 3 |
| BEARING-NEEDLE,HK1210FM (Ref # 92046) | 92046-0034 | 2 |
| SEAL-OIL,CLUTCH RELEASE (Ref # 92049) | 92049-1475 | 1 |
| RING-O,31.5X2.6 (Ref # 92055) | 92055-049 | 1 |
| BOLT,6X16 (Ref # 92153) | 92153-0695 | 4 |
| BOLT,FLANGED,6X25 (Ref # 92153A) | 92153-1569 | 6 |
| BOLT,FLANGED,6X30 (Ref # 92153B) | 92153-1574 | 8 |
| BOLT,FLANGED,6X45 (Ref # 92153C) | 92153-1575 | 1 |
| BOLT,FLANGED,6X35 (Ref # 92153D) | 92153-1579 | 3 |
| BOLT,FLANGED,6X25 (Ref # 92153E) | 92153-1716 | 11 |
| BOLT,FLANGED,6X10 (Ref # 92154) | 92154-0492 | 2 |
| BOLT,SOCKET,6X12 (Ref # 92154A) | 92154-1889 | 1 |
| DAMPER,CLUTCH COVER (Ref # 92161) | 92161-0873 | 1 |
| CLAMP (Ref # 92171) | 92171-0534 | 1 |
| CLAMP (Ref # 92171A) | 92171-0938 | 1 |
| CLAMP (Ref # 92173) | 92173-0082 | 1 |