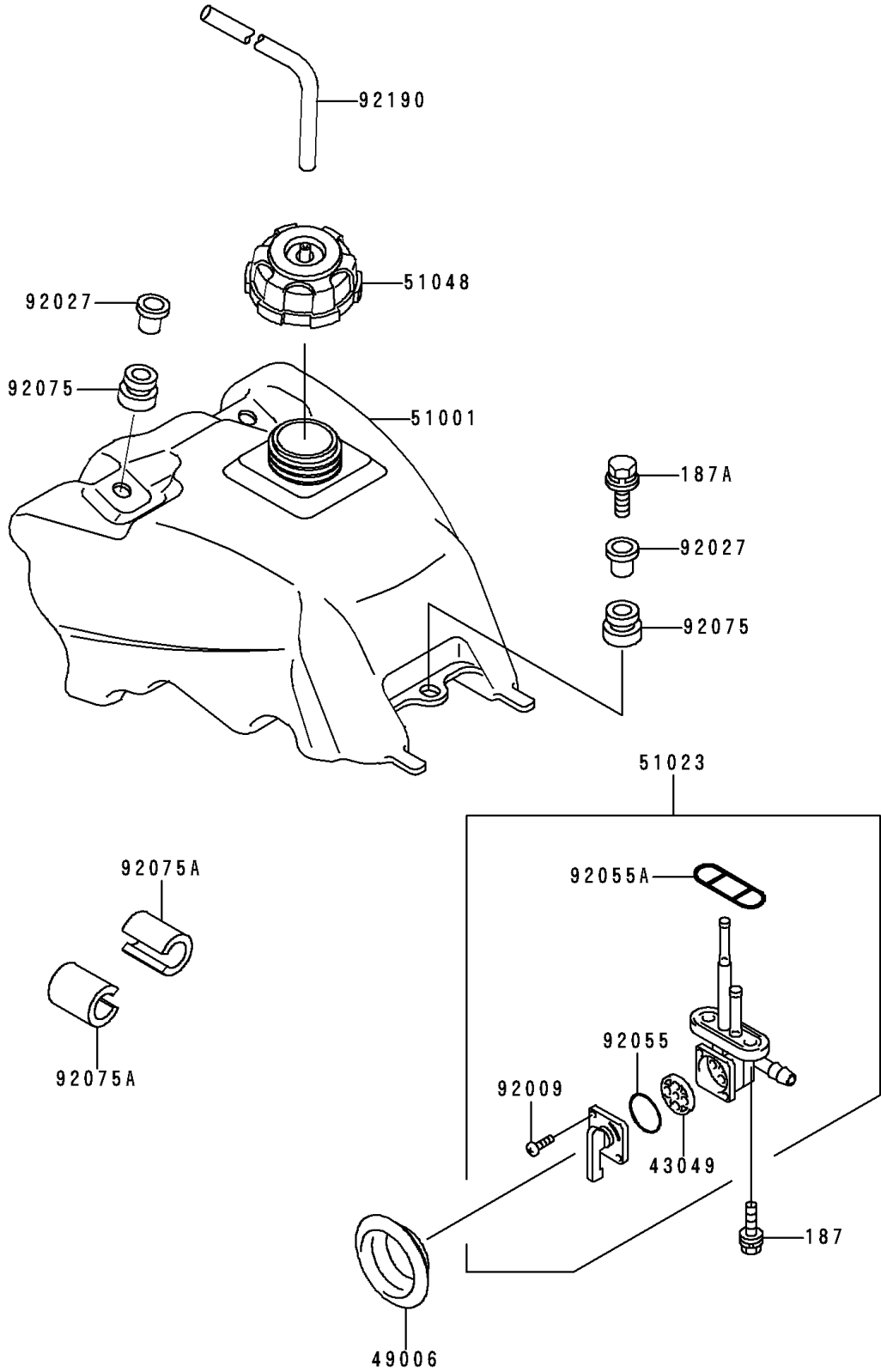


1999 Lakota 300 PARTS DIAGRAM

Fuel Tank

F2410



1999 Lakota 300 PARTS LIST

Fuel Tank

| ITEM NAME | PART NUMBER | QUANTITY |
|--|-------------|----------|
| BOLT-UPSET-WSP (Ref # 187) | 187B0614 | 2 |
| BOLT-UPSET-WSP (Ref # 187A) | 187D0630 | 1 |
| PACKING,FUEL TAP LEVER (Ref # 43049) | 43049-1017 | 1 |
| BOOT (Ref # 49006) | 49006-1192 | 1 |
| TANK-COMP-FUEL (Ref # 51001) | 51001-1482 | 1 |
| TAP-ASSY,FUEL (Ref # 51023) | 51023-1146 | 1 |
| CAP-ASSY-TANK,FUEL (Ref # 51048) | 51048-1090 | 1 |
| SCREW,3X5 (Ref # 92009) | 92009-1123 | 2 |
| COLLAR,L=16.1 (Ref # 92027) | 92027-1847 | 3 |
| RING-O,FUEL TAP LEVER (Ref # 92055) | 92055-1111 | 1 |
| RING-O,FUEL TAP PACKING (Ref # 92055A) | 92055-1348 | 1 |
| DAMPER (Ref # 92075) | 92075-1787 | 3 |
| DAMPER,FUEL TANK (Ref # 92075A) | 92075-1835 | 2 |
| TUBE,4.7X9.5X350 (Ref # 92190) | 92190-1022 | 1 |