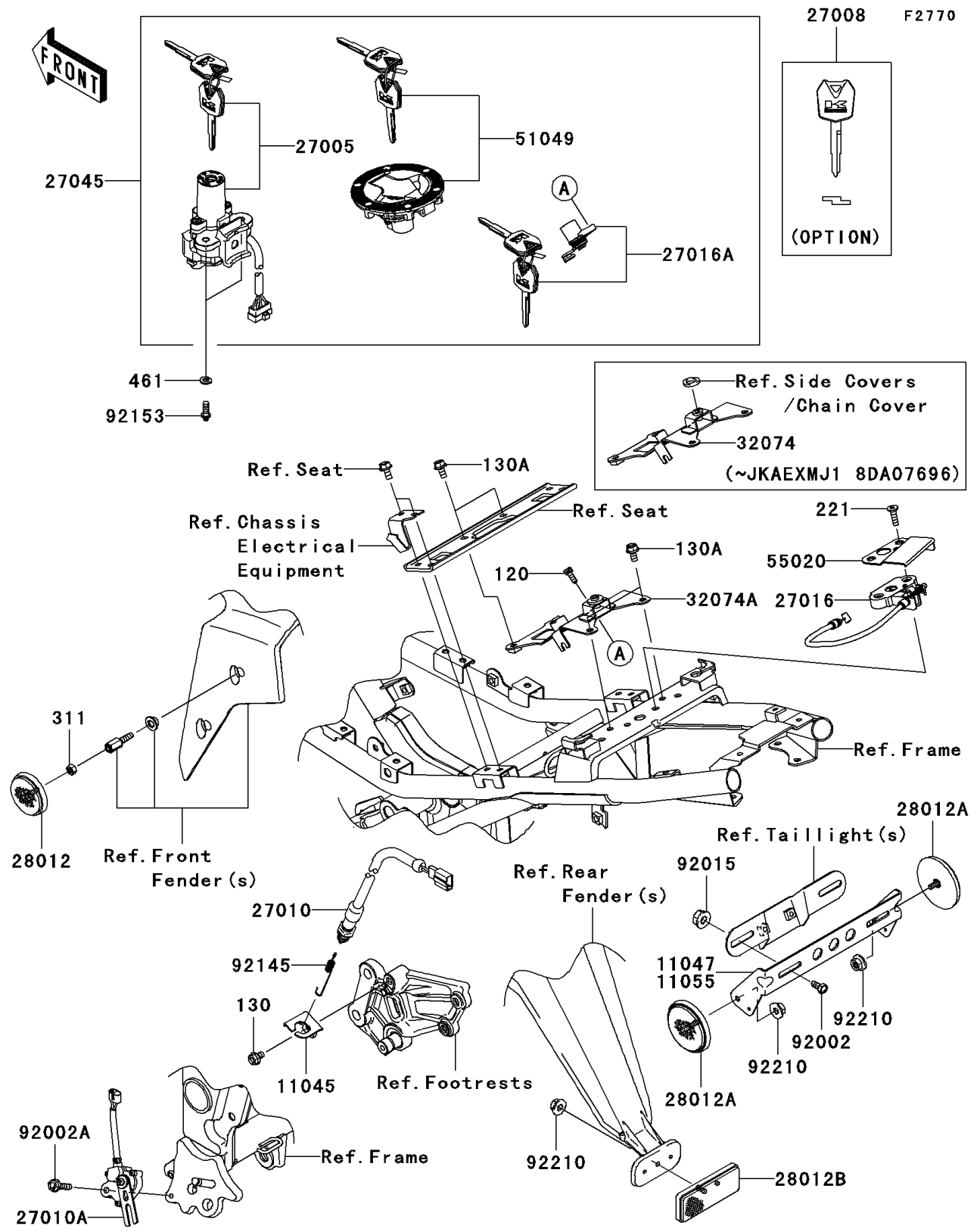


# 2009 Ninja® 250R PARTS DIAGRAM

Ignition Switch/Locks/Reflectors



## 2009 Ninja® 250R PARTS LIST

### Ignition Switch/Locks/Reflectors

ITEM NAME	PART NUMBER	QUANTITY
BOLT-SOCKET,5X12 (Ref # 120)	120CB0512	2
BOLT-FLANGED,6X10 (Ref # 130)	130BA0610	1
BOLT-FLANGED,6X12 (Ref # 130A)	130BB0612	4
SCREW-CSK-CROSS,6X25 (Ref # 221)	221AA0625	2
NUT-HEX (Ref # 311)	311AB0500	2
WASHER-SPRING,6MM (Ref # 461)	461DA0600	2
BRACKET,REAR BRAKE SWITCH (Ref # 11045)	11045-1641	1
BRACKET,REFLECTOR (Ref # 11055)	11055-1092	1
SWITCH-ASSY-IGNITION (Ref # 27005)	27005-5144	1
KEY-LOCK,BLANK (Ref # 27008)	27008-0053	1
SWITCH,REAR BRAKE (Ref # 27010)	27010-0080	1
SWITCH,SIDE STAND (Ref # 27010A)	27010-1455	1
LOCK-ASSY,SEAT STRIKER (Ref # 27016)	27016-0022	1
LOCK-ASSY,SEAT (Ref # 27016A)	27016-5353	1
REFLECTOR-REFLEX,FR,SIDE (Ref # 28012)	28012-0001	2
REFLECTOR-REFLEX (Ref # 28012A)	28012-0002	2
REFLECTOR-REFLEX (Ref # 28012B)	28012-1077	1
BRACKET-LOCK (Ref # 32074A)	32074-0012	1
GUARD,SEAT LOCK (Ref # 55020)	55020-0466	1
BOLT,6X12 (Ref # 92002)	92002-1132	2
BOLT,FLANGED,6X25 (Ref # 92002A)	92002-1582	1
NUT,FLANGED,6MM (Ref # 92015)	92015-1367	2
SPRING,BRAKE LAMP SWITCH (Ref # 92145)	92145-0683	1
BOLT,TORX,6X16 (Ref # 92153)	92153-0967	2
NUT,FLANGED,5MM (Ref # 92210)	92210-0007	3
SWITCH-ASSY (Ref # 27045)	27045-5390	1
SWITCH-ASSY (Ref # 27045A)	27045-5421	1
CAP-TANK,FUEL (Ref # 51049)	51049-5003	1
CAP-TANK,FUEL (Ref # 51049A)	51049-5007	1